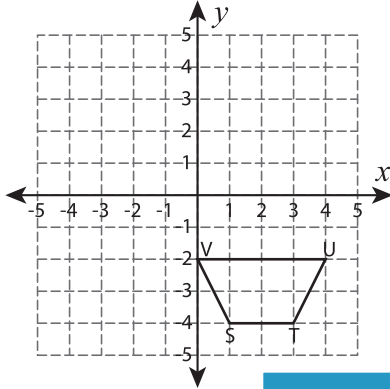


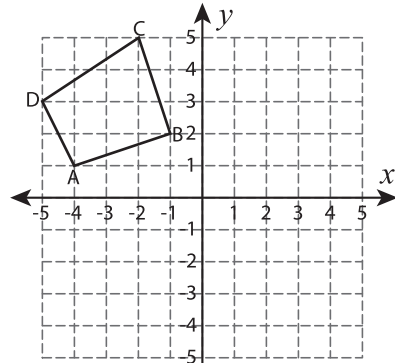
Write the New Coordinates

Graph the image of each figure after the given transformation. Also write the coordinates of the image.

- 1) 90° counterclockwise rotation about the origin 2) Reflection across the line $y = x$

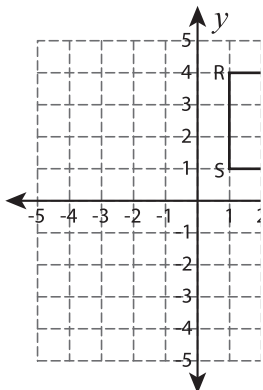


S' : _____ , T' : _____
 U' : _____ , V' : _____



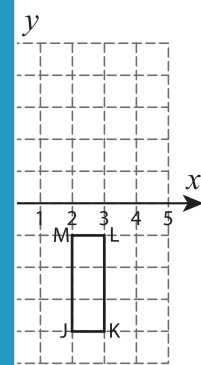
B' : _____
 D' : _____

- 3) Translate 1 unit up and



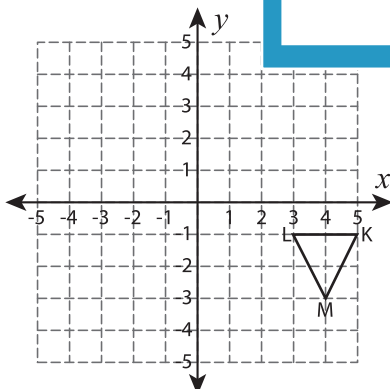
P' : _____ , Q' : _____
 R' : _____ , S' : _____

- 4) Reflection across the origin

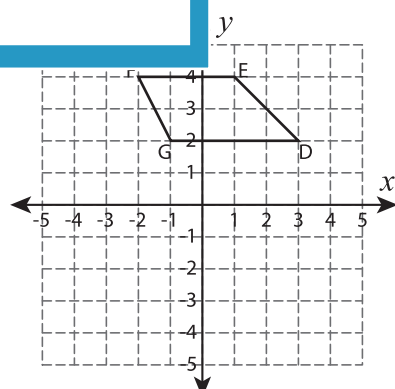


K' : _____
 M' : _____

- 5) Reflection across the y



K' : _____ , L' : _____
 M' : _____



D' : _____ , E' : _____
 F' : _____ , G' : _____

PREVIEW

Gain complete access to the largest collection of worksheets in all subjects!

Members, please log in to download this worksheet.

Not a member? Please sign up to gain complete access.

www.mathworksheets4kids.com