

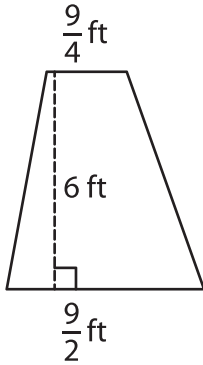
Name : _____

Area – Trapezoid

T1S1

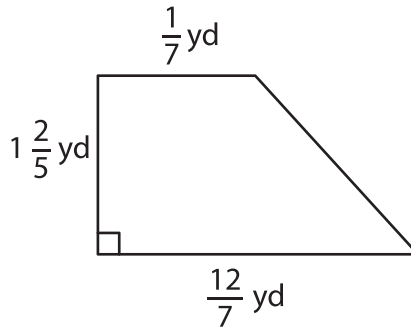
Find the area of each trapezoid.

1)



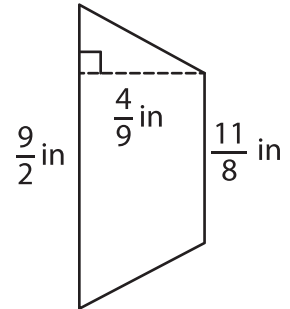
Area =

2)



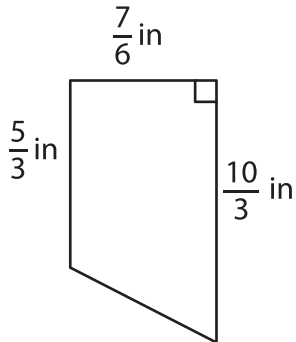
Area =

3)



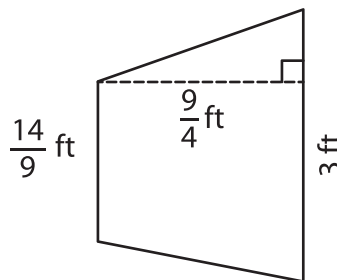
Area =

4)



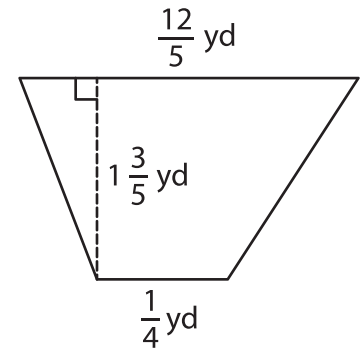
Area =

5)



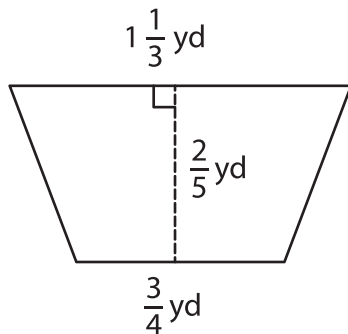
Area =

6)



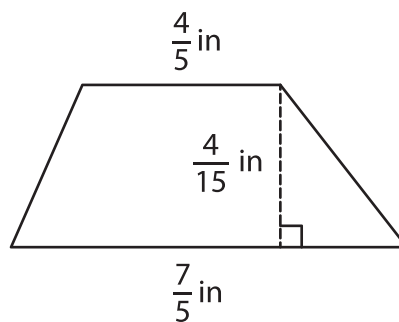
Area =

7)



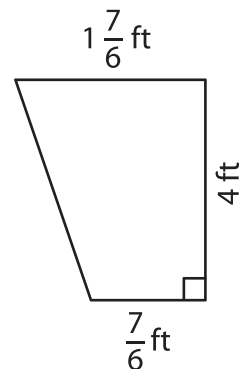
Area =

8)



Area =

9)



Area =