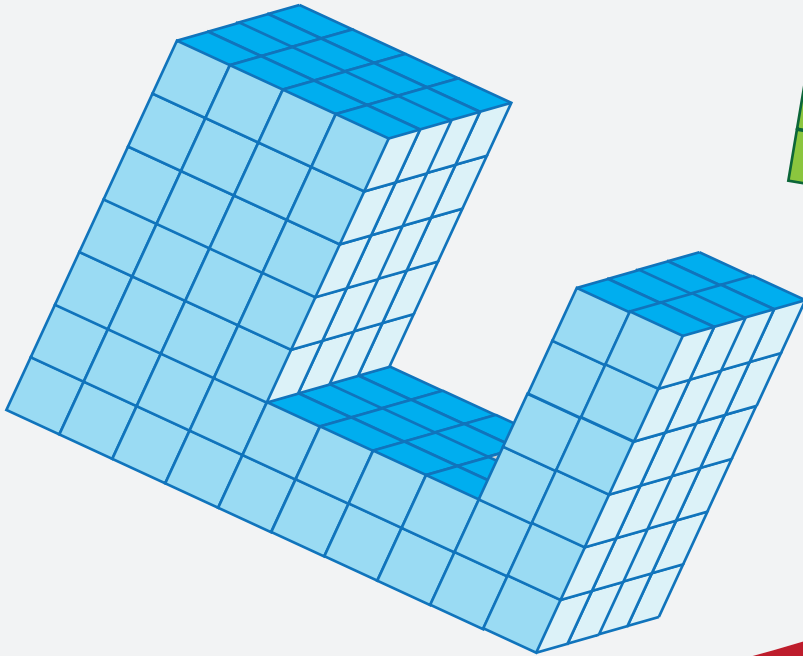
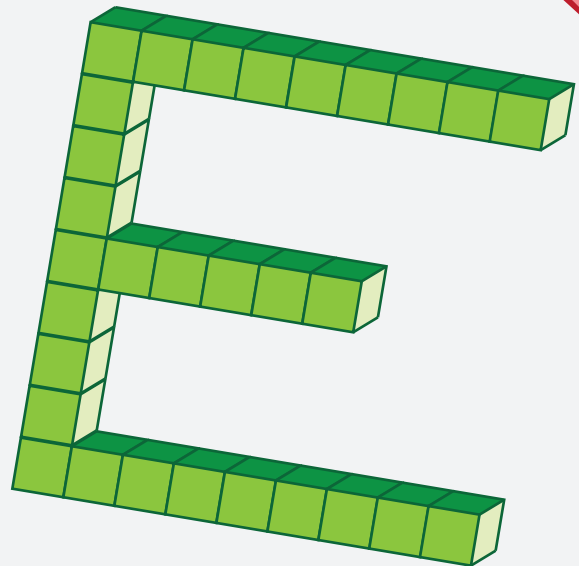
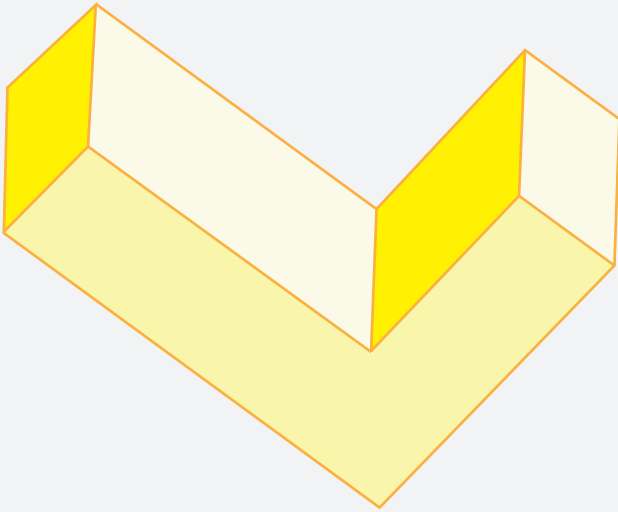


5th
Grade

Measurement and Data

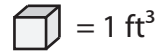


Workbook 1

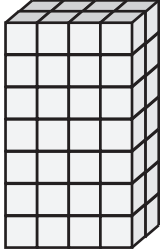
Counting Cubes - Rectangular Prism

E

Count the cubes and find the volume of each rectangular prism.

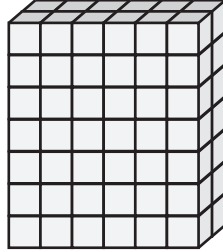


1)



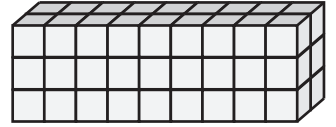
Volume = _____

2)



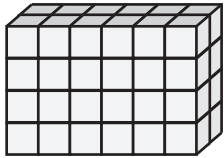
Volume = _____

3)



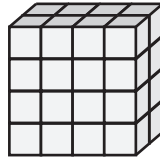
Volume = _____

4)



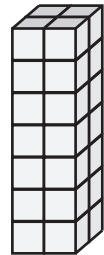
Volume = _____

5)



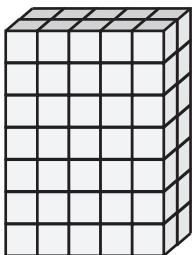
Volume = _____

6)



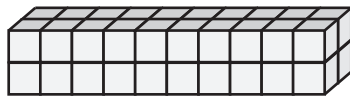
Volume = _____

7)



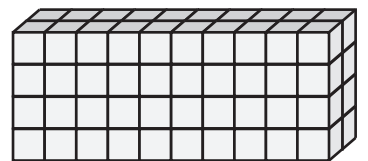
Volume = _____

8)



Volume = _____

9)




Volume = _____

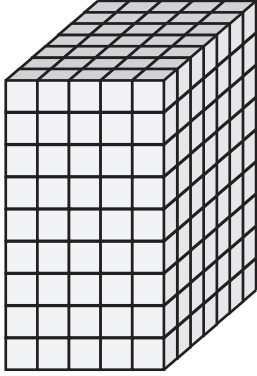
Counting Cubes - Rectangular Prism

M

Count the cubes and find the volume of each rectangular prism.

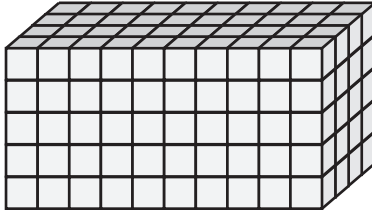
 = 1 ft³

1)



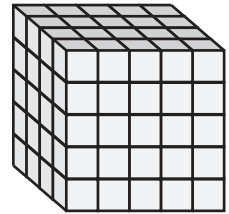
Volume = _____

2)



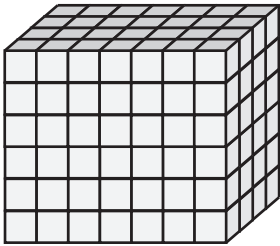
Volume = _____

3)



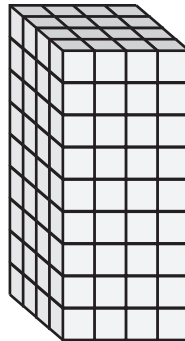
Volume = _____

4)



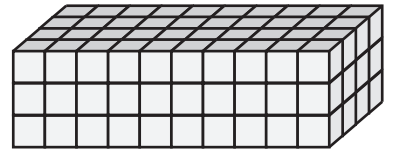
Volume = _____

5)



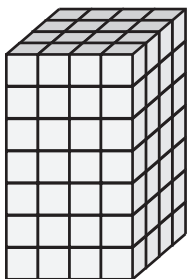
Volume = _____

6)



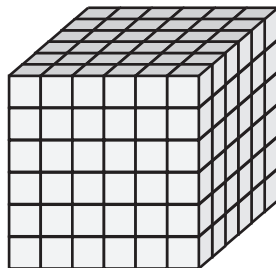
Volume = _____

7)



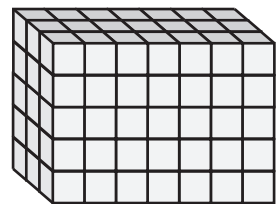
Volume = _____

8)



Volume = _____

9)



Volume = _____

Pages 3 to 7 are available only for members.

Subscribe to unlock 200+ math
workbooks and 40,000+ worksheets
in all subjects.

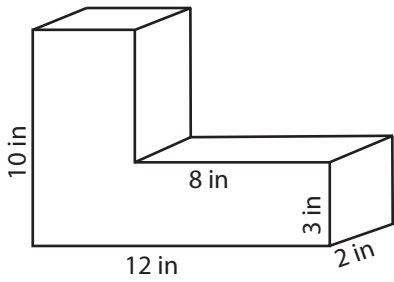
Scroll down for additional free pages.

Volume of L-Blocks

E

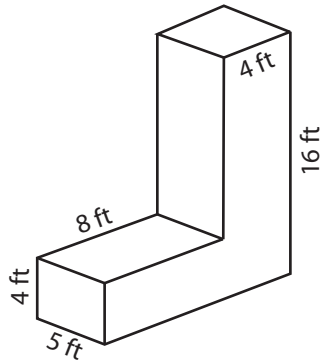
Find the volume of each L-block.

1)



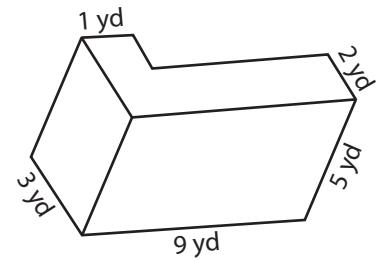
Volume = _____

2)



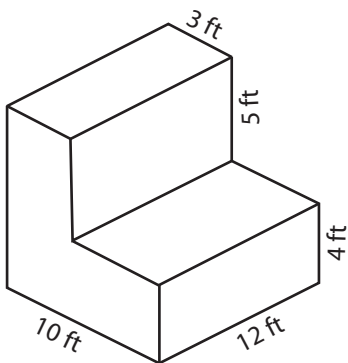
Volume = _____

3)



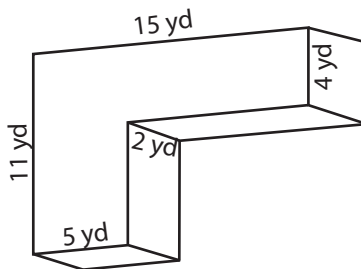
Volume = _____

4)



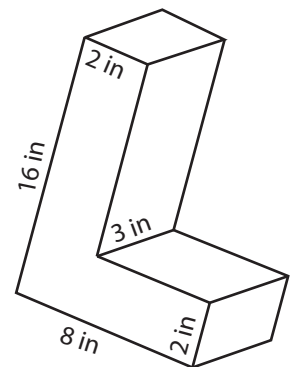
Volume = _____

5)



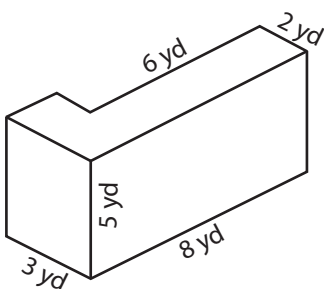
Volume = _____

6)



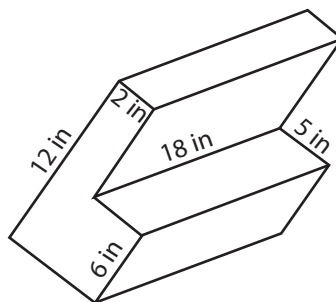
Volume = _____

7)



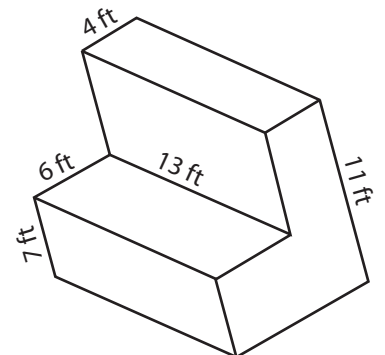
Volume = _____

8)



Volume = _____

9)



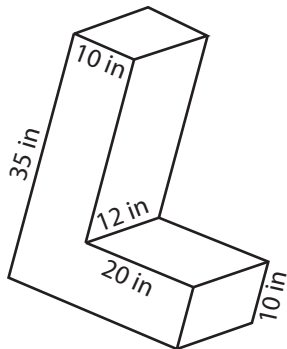
Volume = _____

Volume of L-Blocks

M

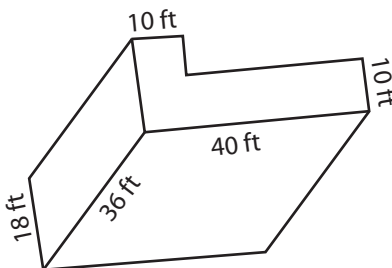
Find the volume of each L-block.

1)



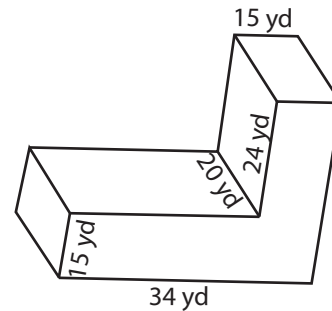
Volume = _____

2)



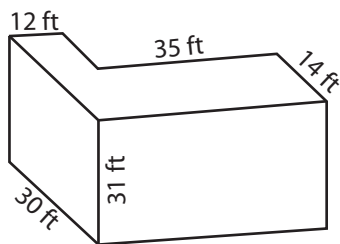
Volume = _____

3)



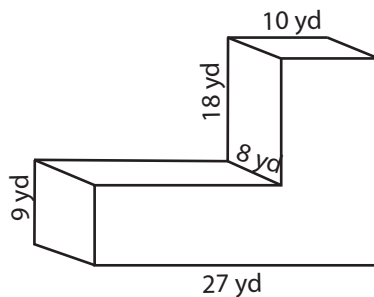
Volume = _____

4)



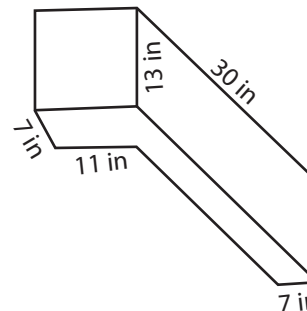
Volume = _____

5)



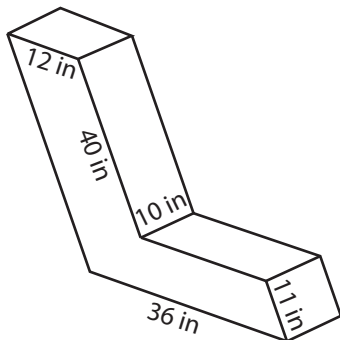
Volume = _____

6)



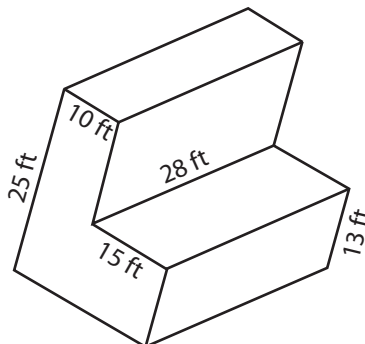
Volume = _____

7)



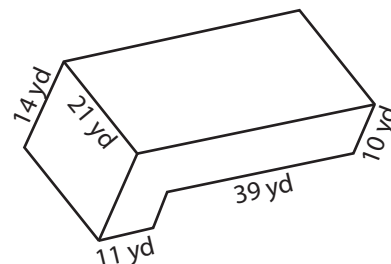
Volume = _____

8)



Volume = _____

9)



Volume = _____