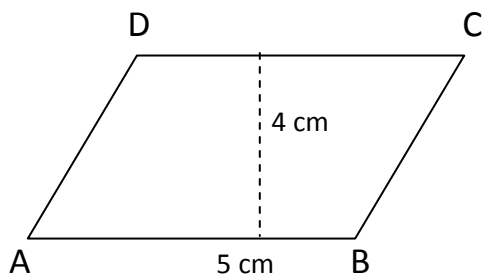


Student Name: _____

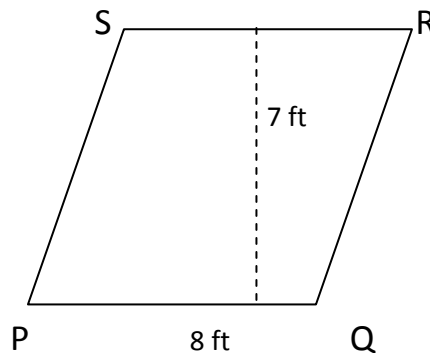
Score: _____

Area of Parallelogram Worksheet

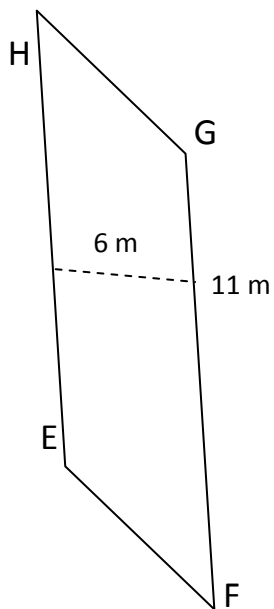
Find the area of the following parallelograms:



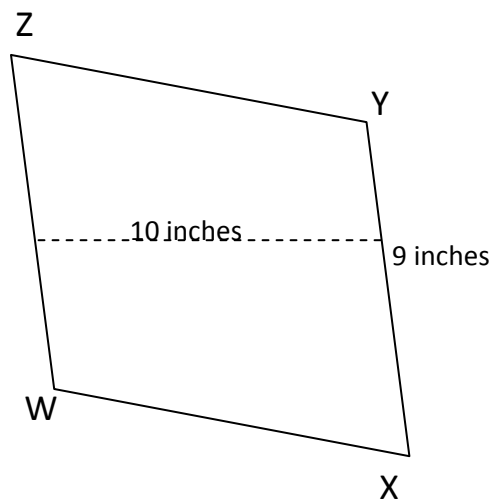
Area = _____



Area = _____



Area = _____

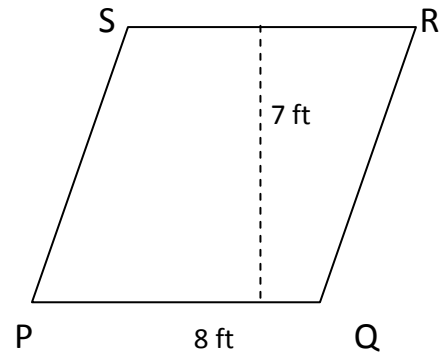
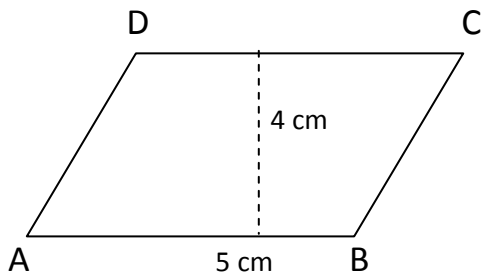


Area = _____

Student Name: _____

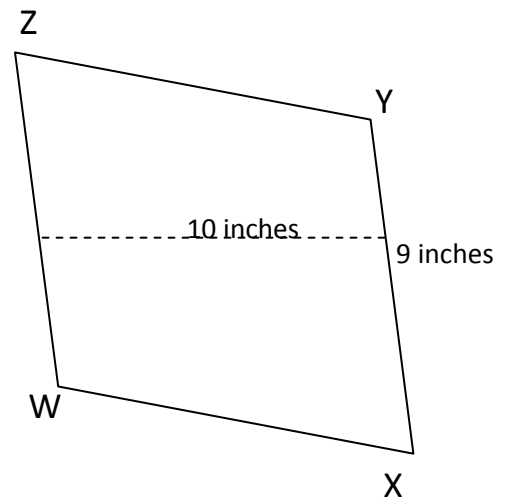
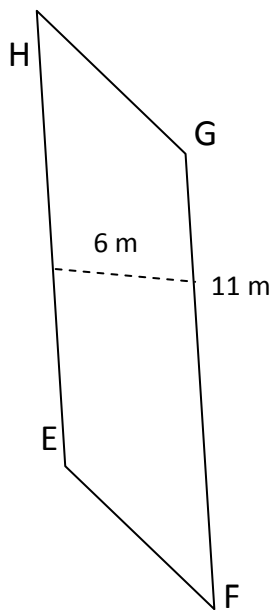
Score: _____

Answers



Area = 20 cm^2

Area = 56 ft^2



Area = 66 m^2

Area = 90 inches^2