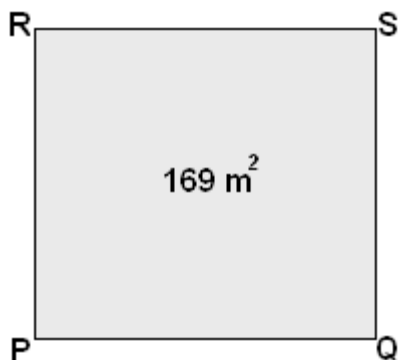


Student Name: _____

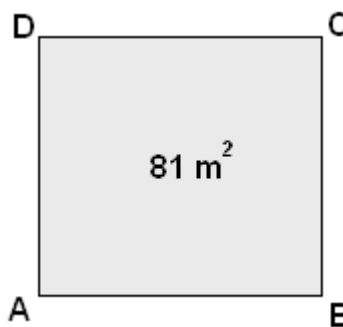
Score: _____

Side of Square

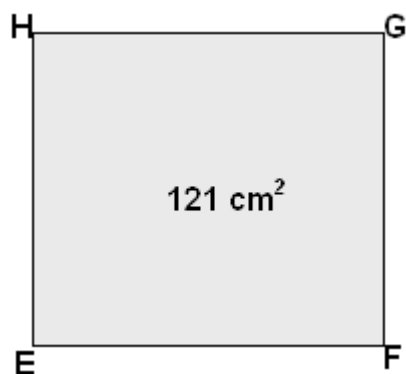
Find the sides of the following squares whose area is given:



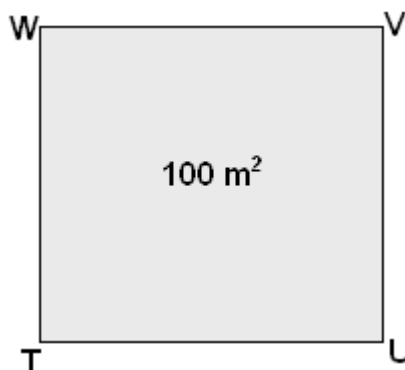
Side = _____ cm



Side = _____ cm



Side = _____ cm

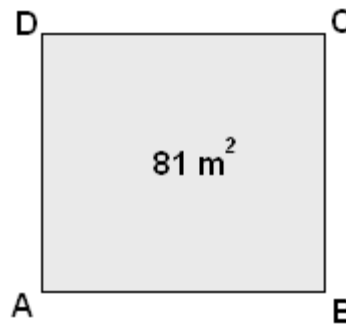
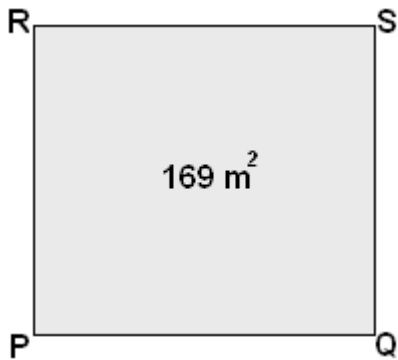


Side = _____ cm

Student Name: _____

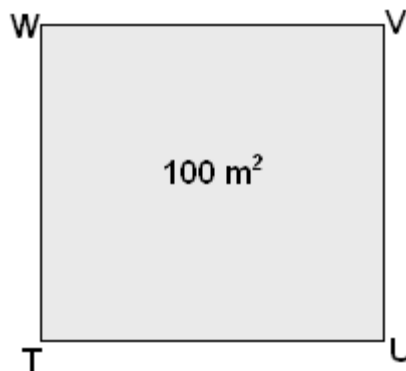
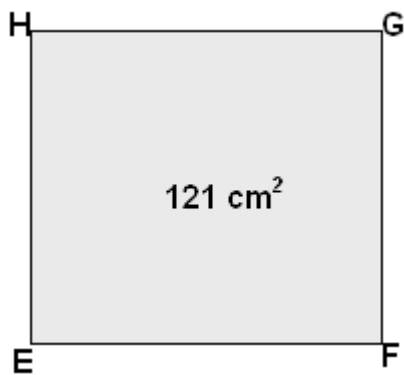
Score: _____

Answers



Side = 13 cm

Side = 9 cm



Side = 11 cm

Side = 10 cm