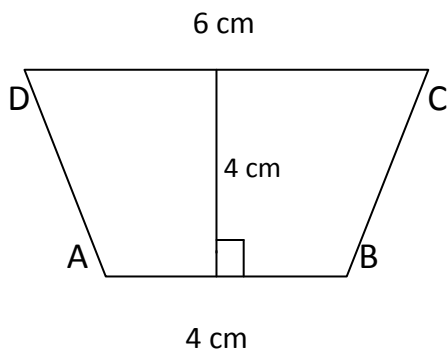


Student Name: _____

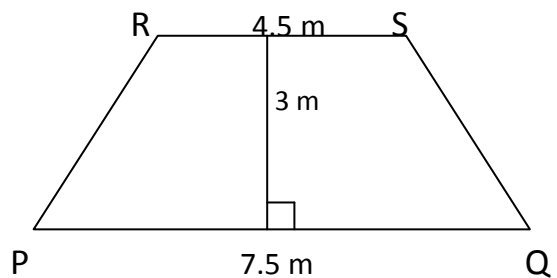
Score: _____

Area of Trapezoid

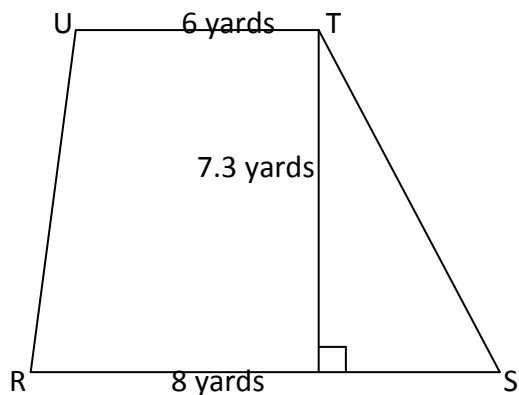
Find the area of the following trapezoids:



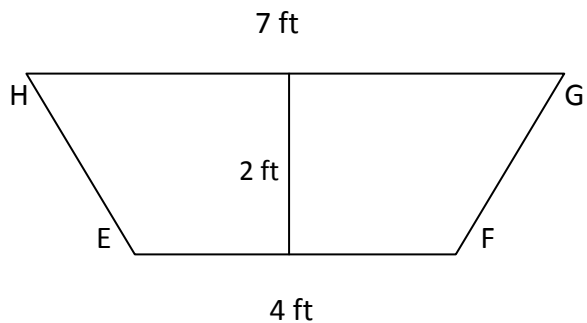
Area of ABCD = _____



Area of PQRS = _____



Area of RSTU = _____

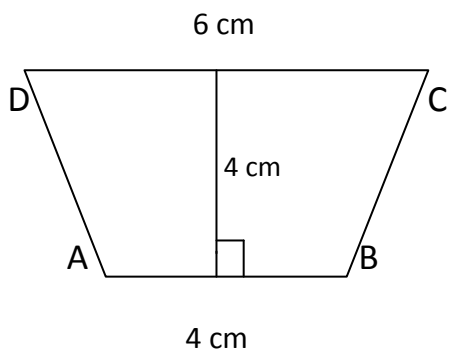


Area of EFGH = _____

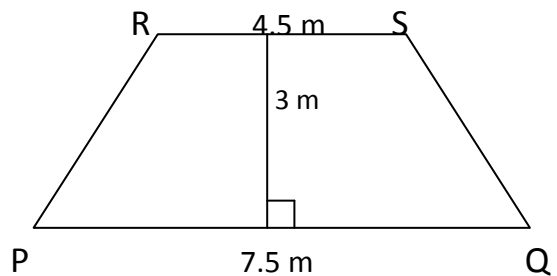
Student Name: _____

Score: _____

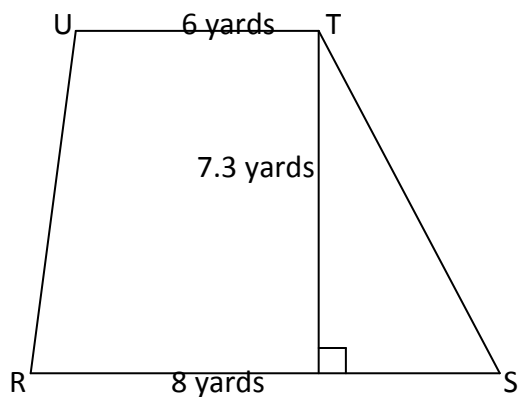
Answers



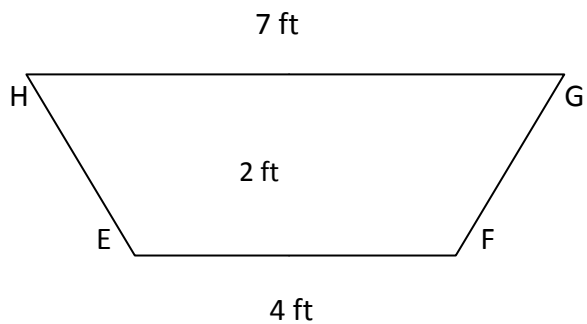
Area of ABCD = 20 cm^2



Area of PQRS = 18 m^2



Area of RSTU = 51.1 yard^2



Area of EFGH = 11 ft^2