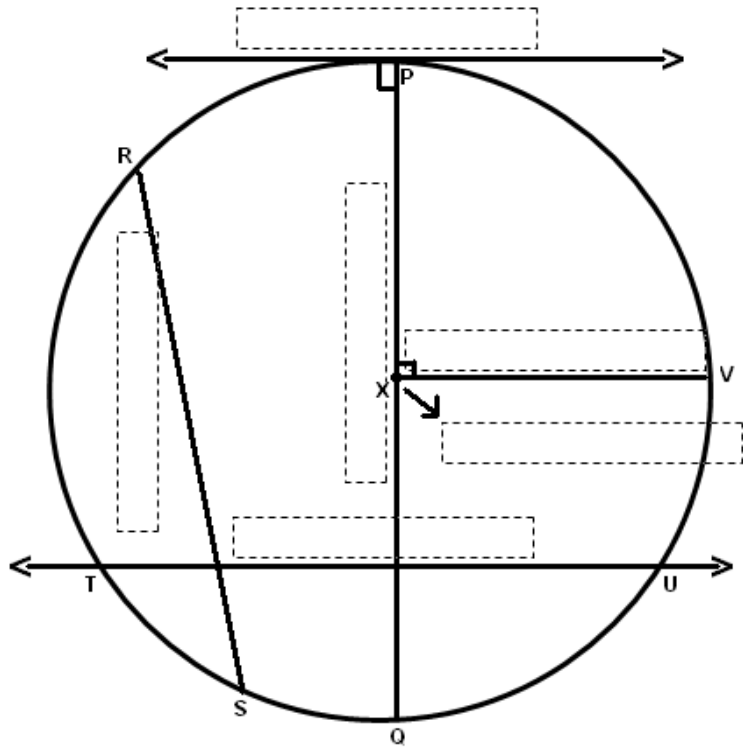
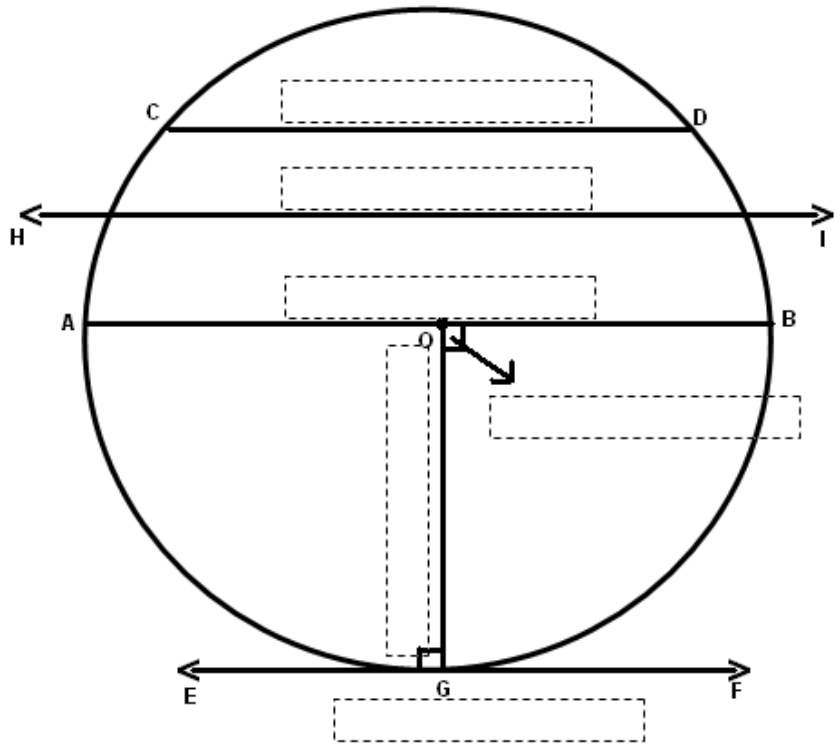


Student Name: _____

Score: _____

Write the Parts of the Circle in the Place Holders



Student Name: _____

Score: _____

Answers

