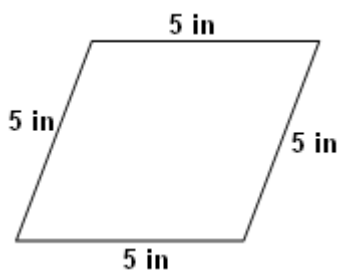


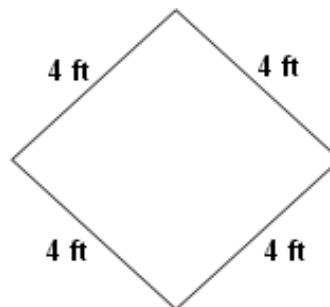
Student Name: _____

Score: _____

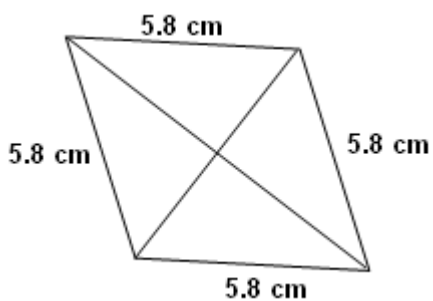
Perimeter of Rhombus



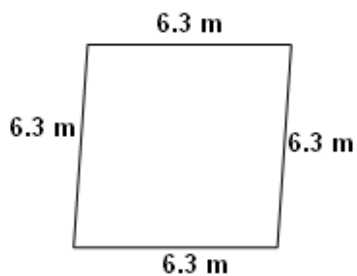
Perimeter= _____



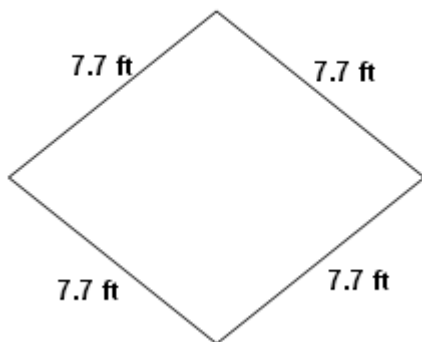
Perimeter= _____



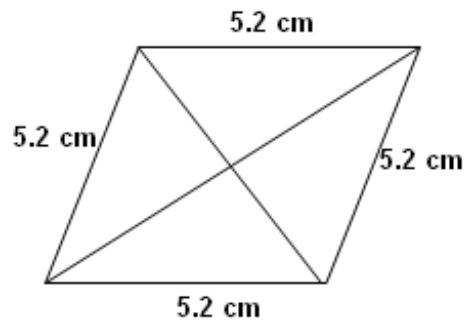
Perimeter= _____



Perimeter= _____



Perimeter= _____

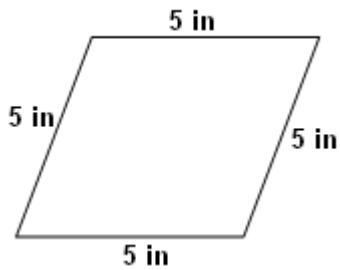


Perimeter= _____

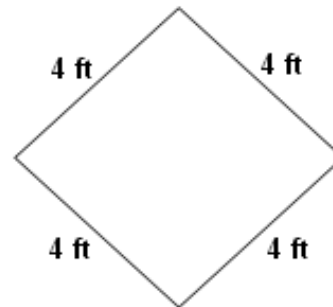
Student Name: _____

Score: _____

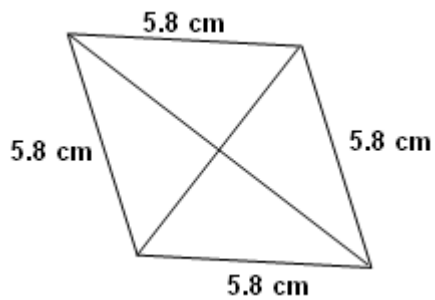
Answers



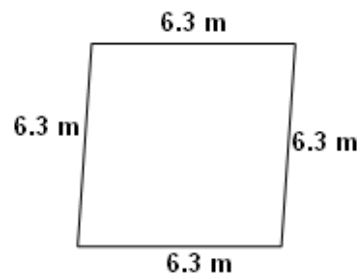
Perimeter= 20 in



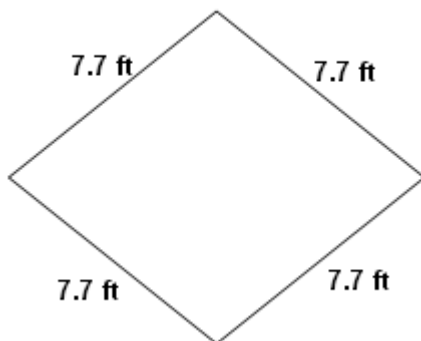
Perimeter= 16 ft



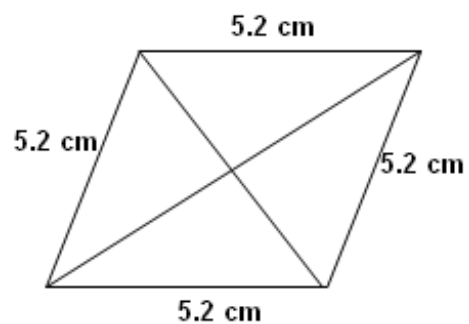
Perimeter= 23.2 cm



Perimeter= 25.2 m



Perimeter= 30.8 ft



Perimeter= 20.8 cm