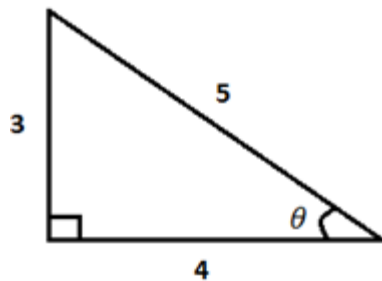


Student Name: \_\_\_\_\_

Score: \_\_\_\_\_

**Name the sides of a triangle**

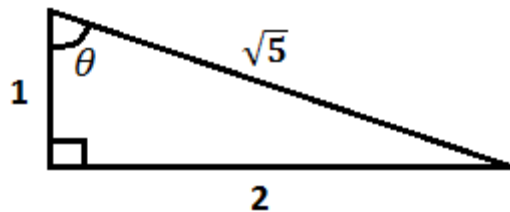
Find hypotenuse, opposite and adjacent sides from the given triangles:



Opposite side =

Adjacent side =

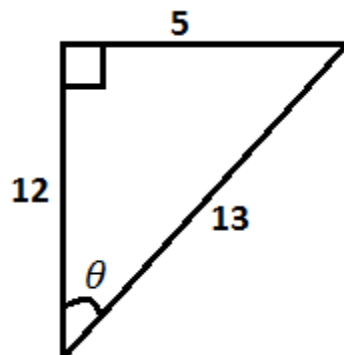
Hypotenuse =



Opposite side =

Adjacent side =

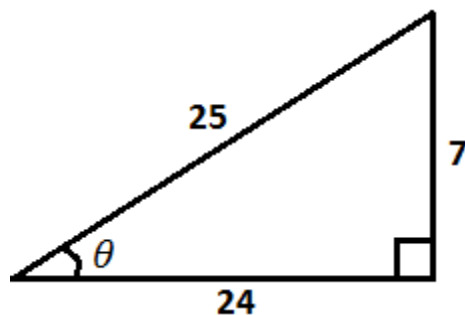
Hypotenuse =



Opposite side =

Adjacent side =

Hypotenuse =



Opposite side =

Adjacent side =

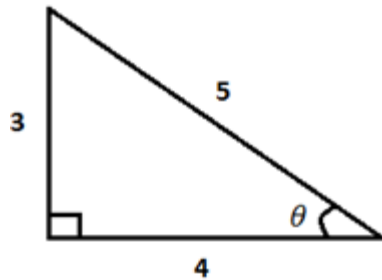
Hypotenuse =

Student Name: \_\_\_\_\_

Score: \_\_\_\_\_

Answers:

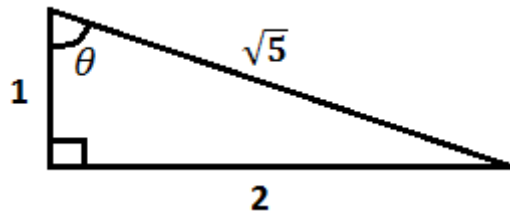
Find hypotenuse, opposite and adjacent sides from the given triangles:



Opposite side = 3

Adjacent side = 4

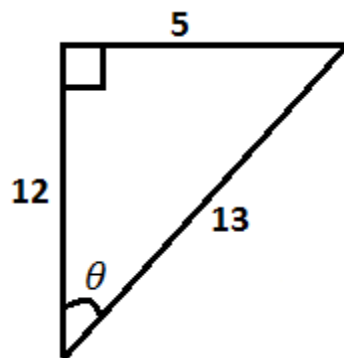
Hypotenuse = 5



Opposite side = 2

Adjacent side = 1

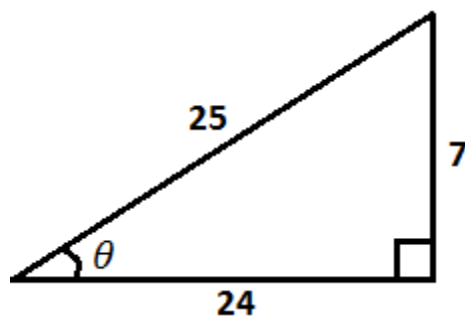
Hypotenuse =  $\sqrt{5}$



Opposite side = 5

Adjacent side = 12

Hypotenuse = 13



Opposite side = 7

Adjacent side = 24

Hypotenuse = 25