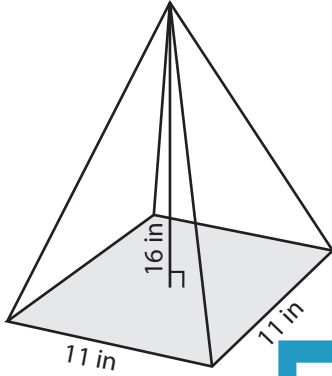


## Volume of Rectangular Pyramid

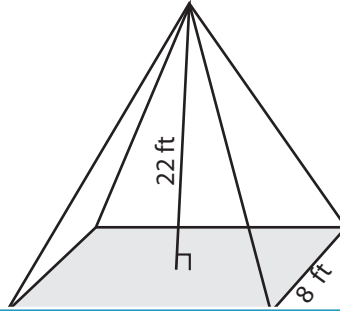
Find the volume of each rectangular pyramid. Round the answer to two decimal places.

1)



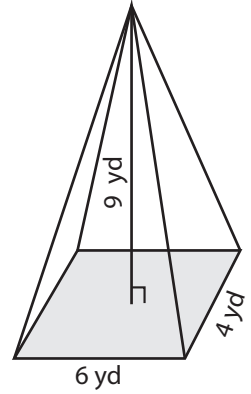
Volume = \_\_\_\_\_

2)

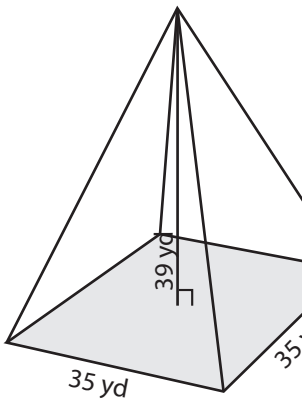


Volume = \_\_\_\_\_

3)



4)



Volume = \_\_\_\_\_

# PREVIEW

Access the largest collection of  
worksheets for just **\$19.95** per year!

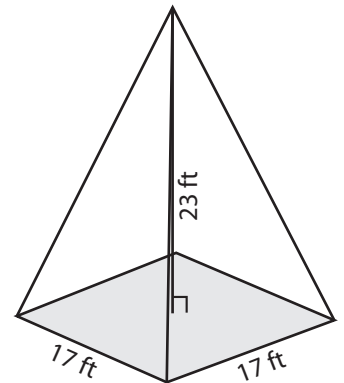
Members, please  
log in to  
download this  
worksheet.

Log in

Not a member?  
Please sign up to  
gain complete  
access.

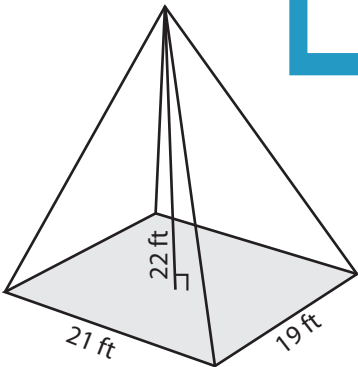
Sign up

[www.mathworksheets4kids.com](http://www.mathworksheets4kids.com)

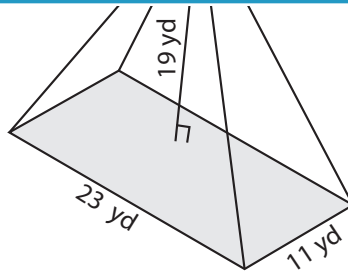


Volume = \_\_\_\_\_

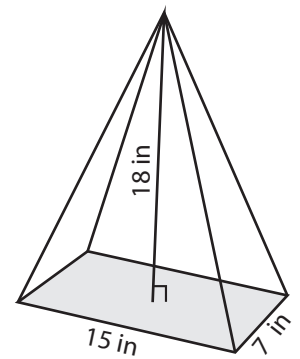
7)



Volume = \_\_\_\_\_



Volume = \_\_\_\_\_

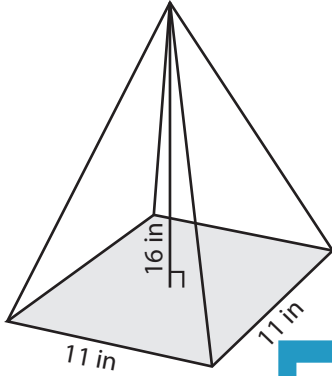


Volume = \_\_\_\_\_

**Answer Key****Volume of Rectangular Pyramid**

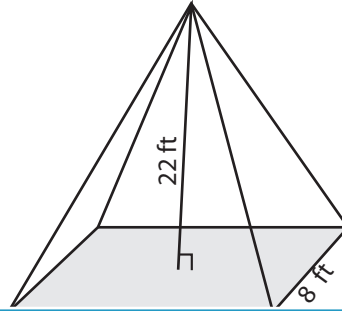
Find the volume of each rectangular pyramid. Round the answer to two decimal places.

1)



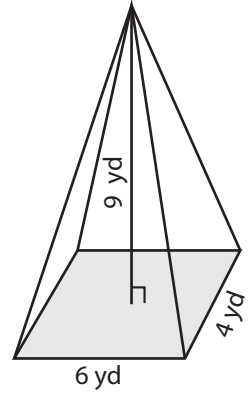
Volume = 645.33 in<sup>3</sup>

2)

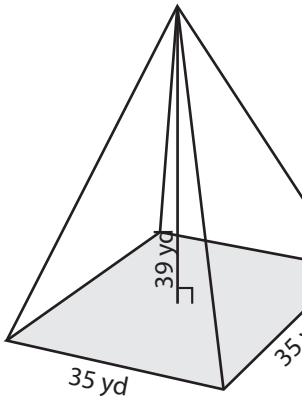


Volume = 72 yd<sup>3</sup>

3)



4)



Volume = 15925 yd<sup>3</sup>

Access the largest collection of  
worksheets for just **\$19.95** per year!

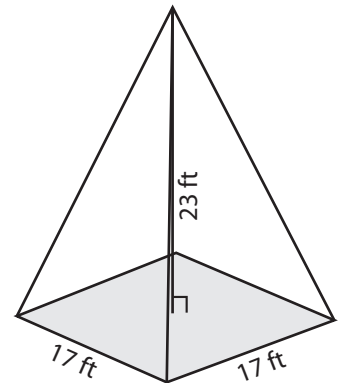
Members, please  
log in to  
download this  
worksheet.

**Log in**

Not a member?  
Please sign up to  
gain complete  
access.

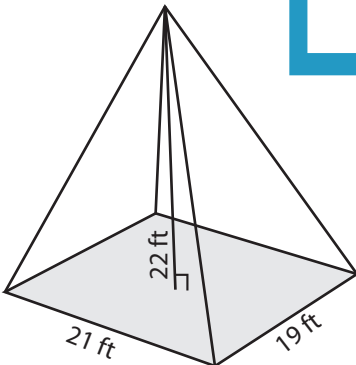
**Sign up**

[www.mathworksheets4kids.com](http://www.mathworksheets4kids.com)

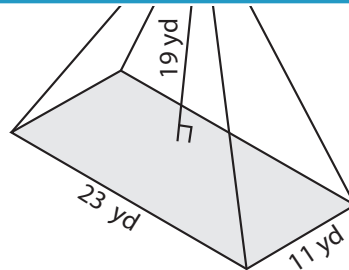


Volume = 2215.67 ft<sup>3</sup>

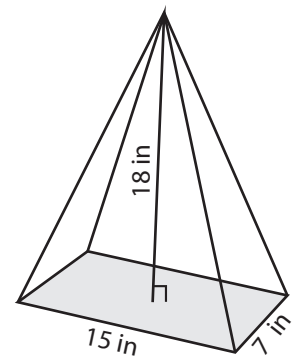
7)



Volume = 2926 ft<sup>3</sup>



Volume = 1602.33 yd<sup>3</sup>



Volume = 630 in<sup>3</sup>