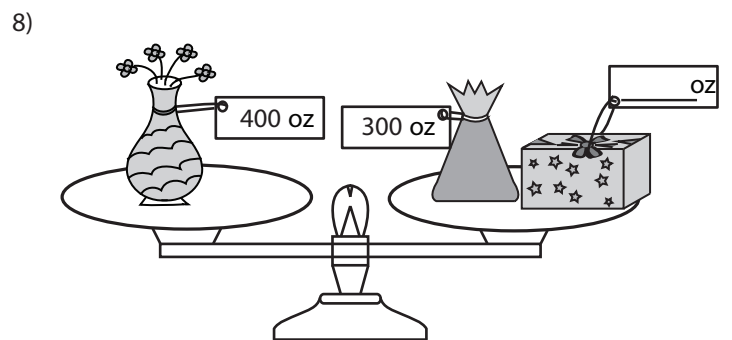
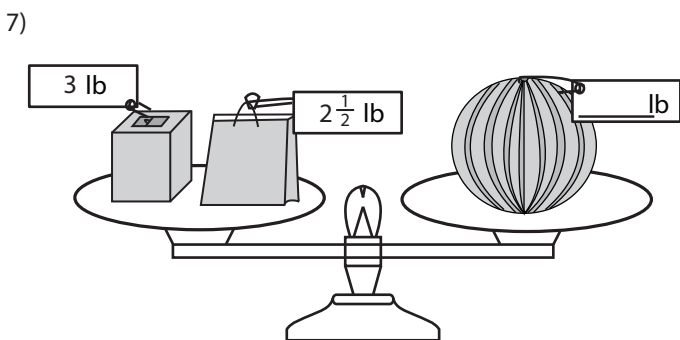
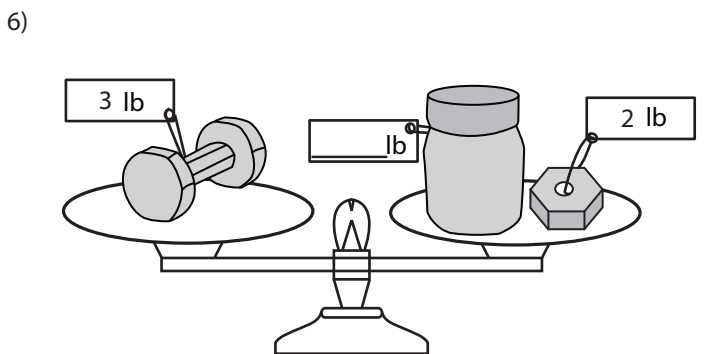
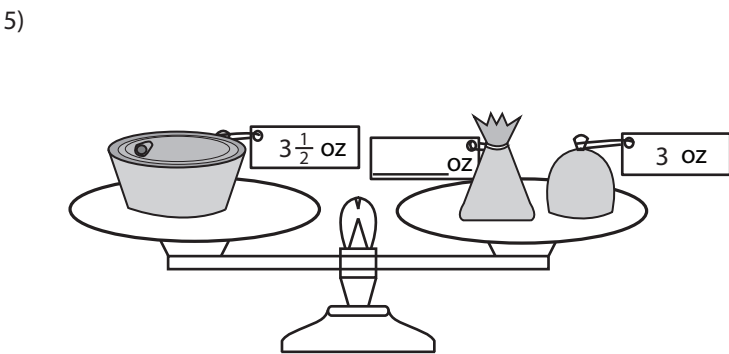
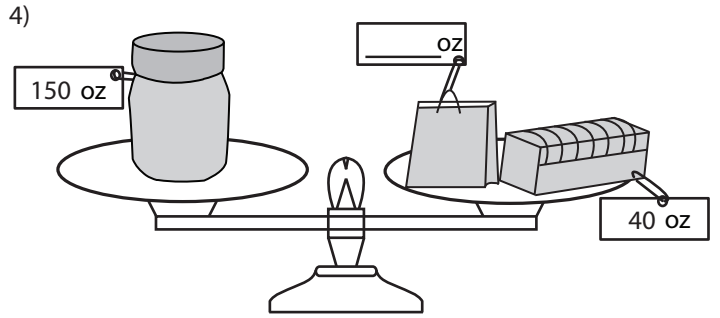
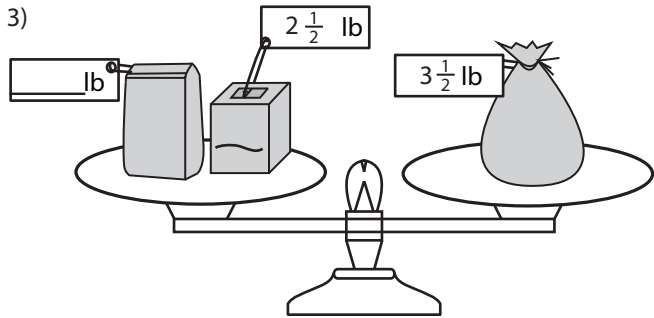
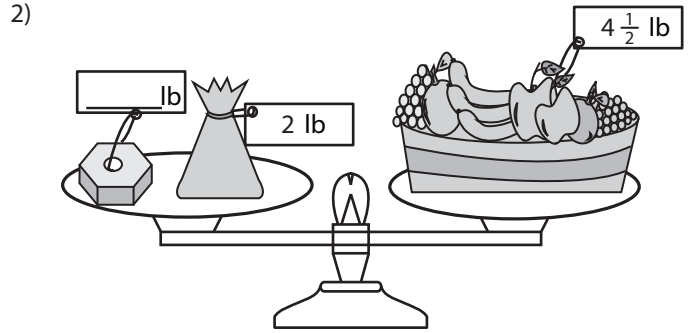
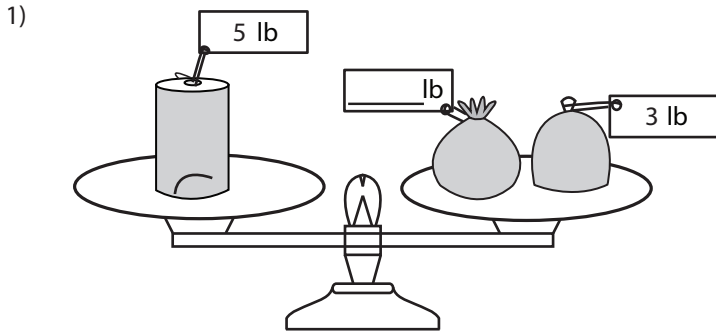


Balancing Scale - Customary Units

ES1

Calculate the unknown weight to balance each scale.



Answer key**Balancing Scale - Customary Units**

ES1

Calculate the unknown weight to balance each scale.

