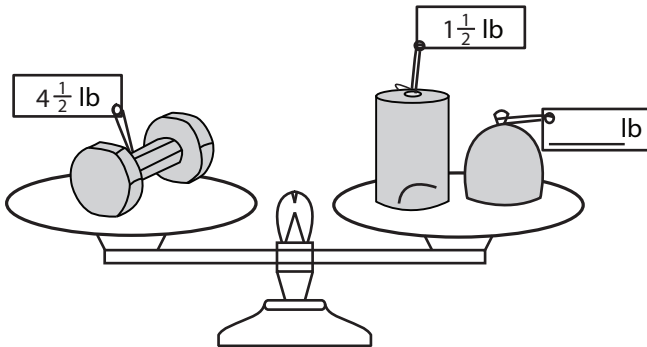


Balancing Scale - Customary Units

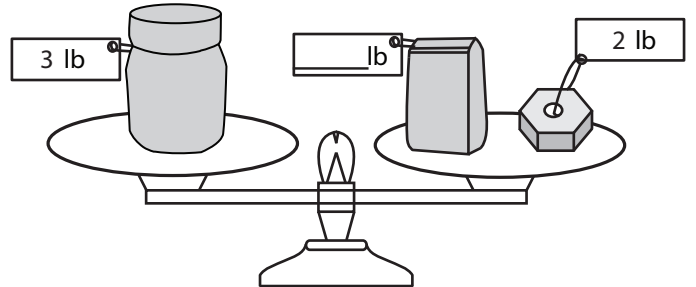
ES3

Calculate the unknown weight to balance each scale.

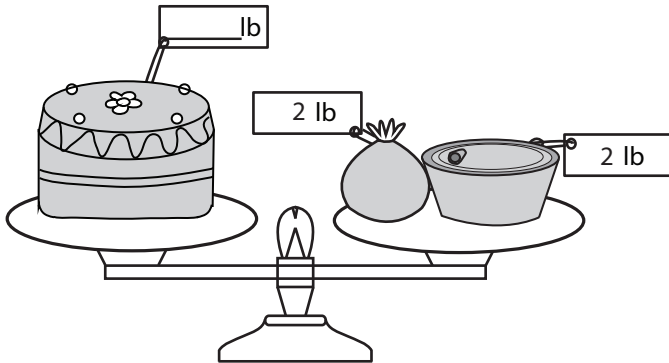
1)



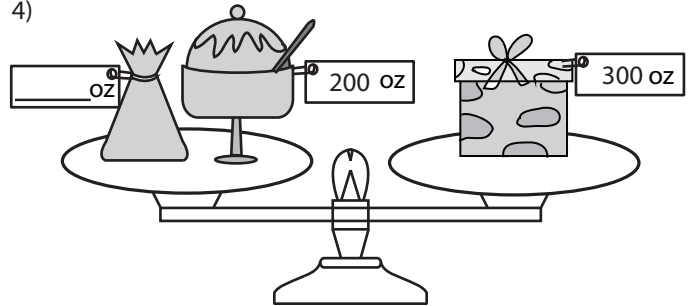
2)



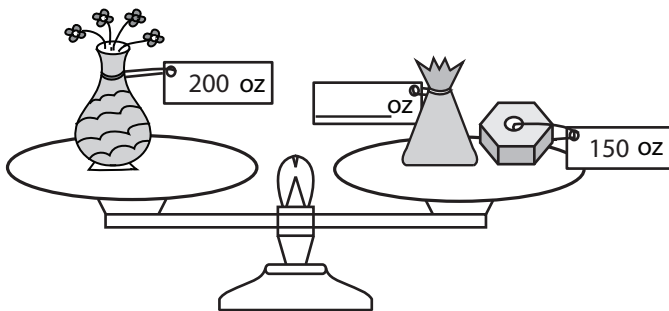
3)



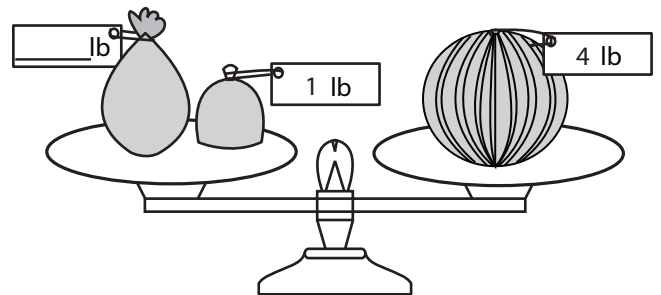
4)



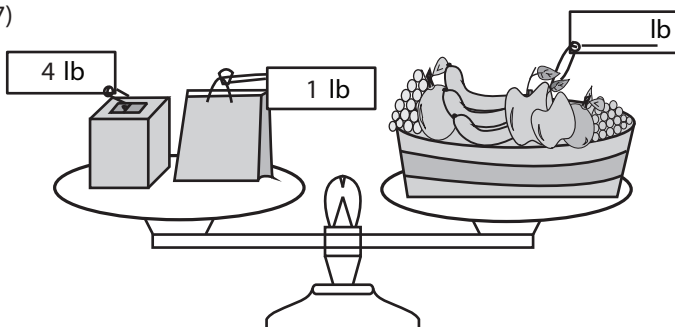
5)



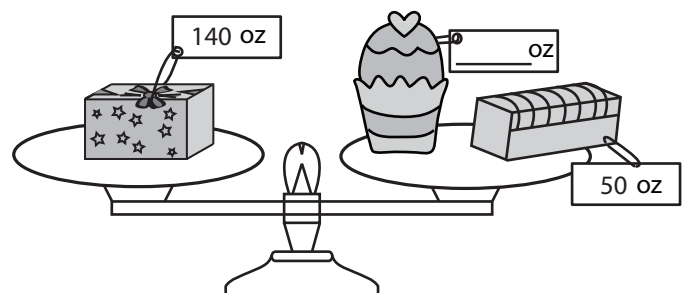
6)



7)



8)

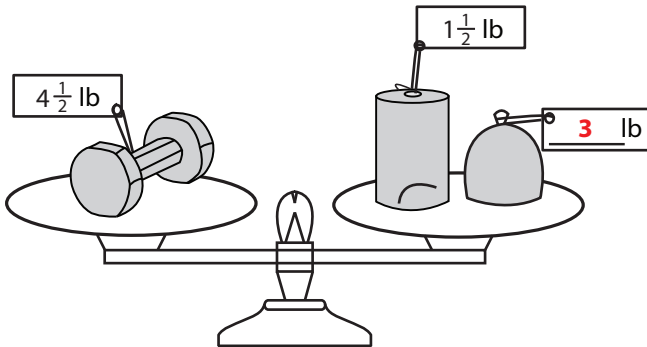


Answer key**Balancing Scale - Customary Units**

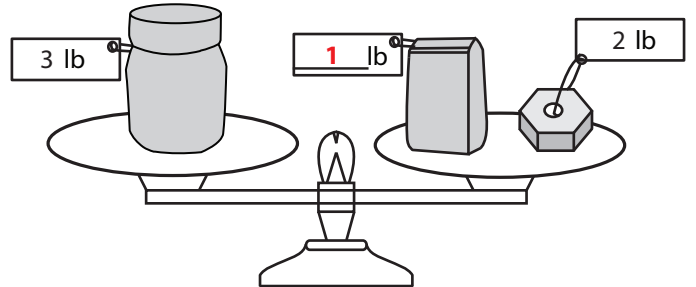
ES3

Calculate the unknown weight to balance each scale.

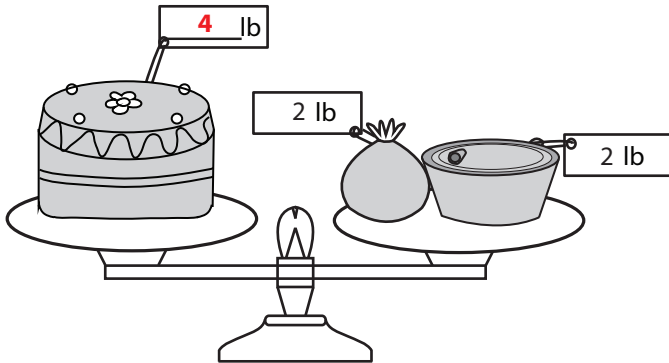
1)



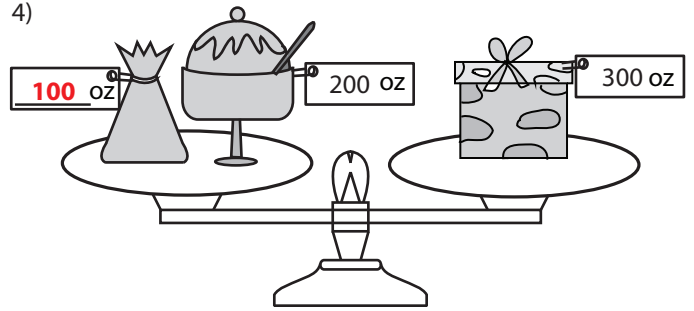
2)



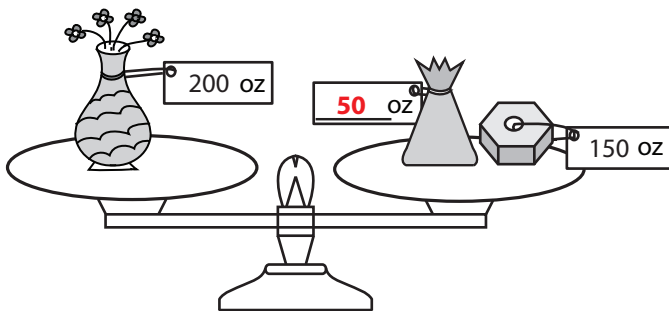
3)



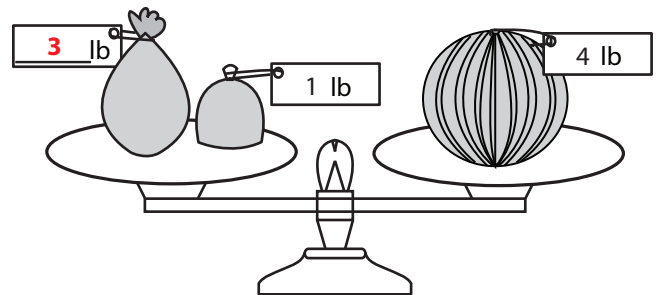
4)



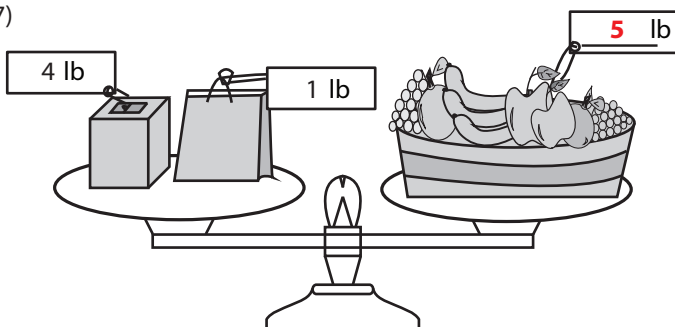
5)



6)



7)



8)

