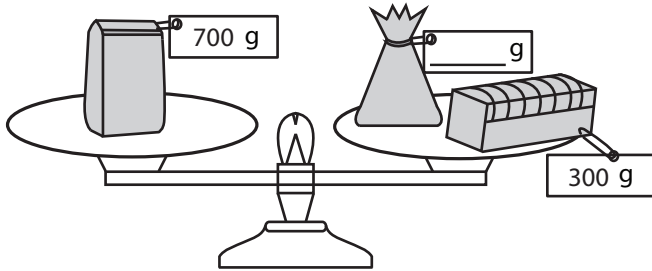


Balancing Scale - Metric Units

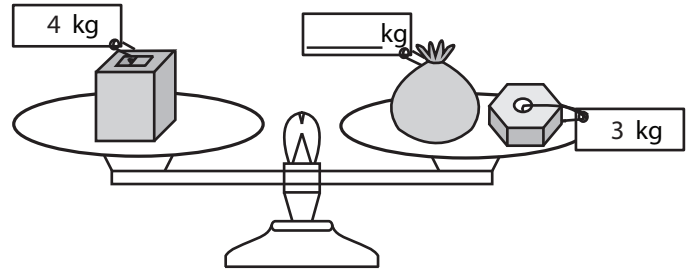
ES1

Calculate the unknown weight to balance each scale.

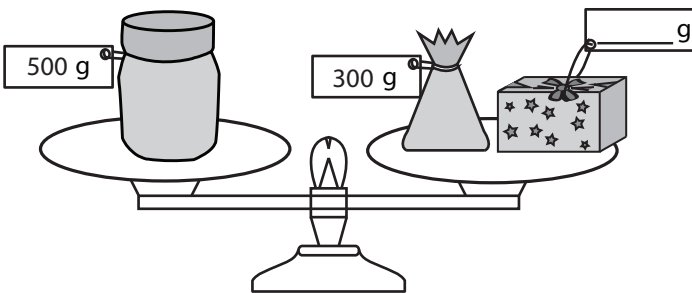
1)



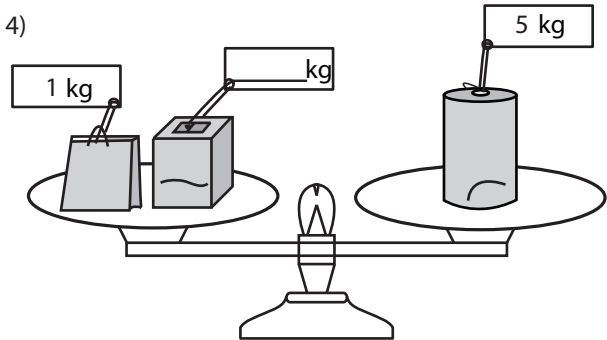
2)



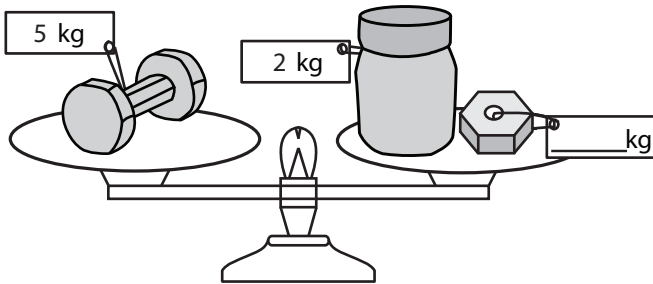
3)



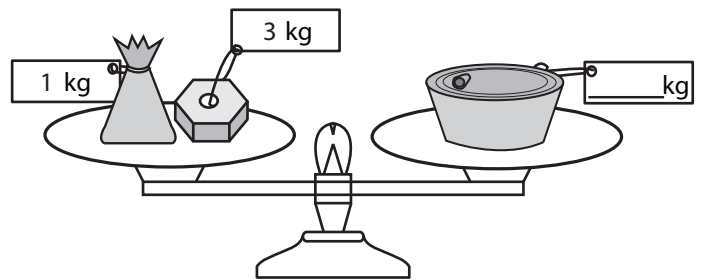
4)



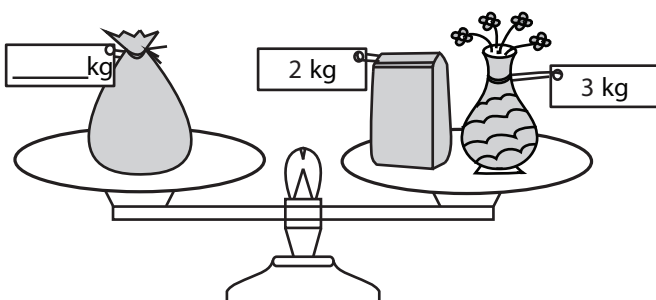
5)



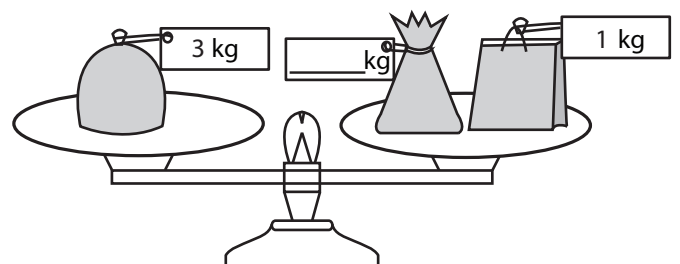
6)



7)



8)

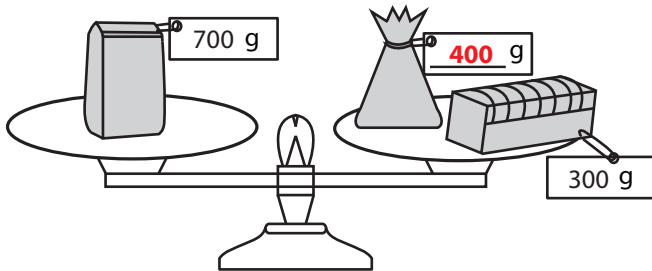


Answer key**Balancing Scale - Metric Units**

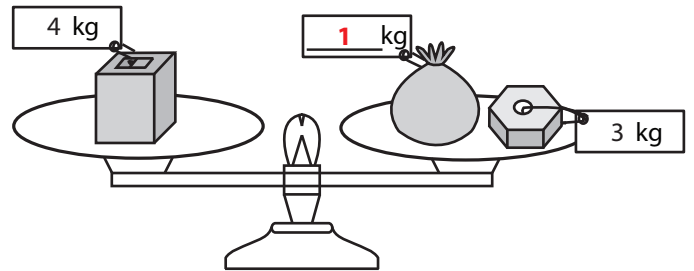
ES1

Calculate the unknown weight to balance each scale.

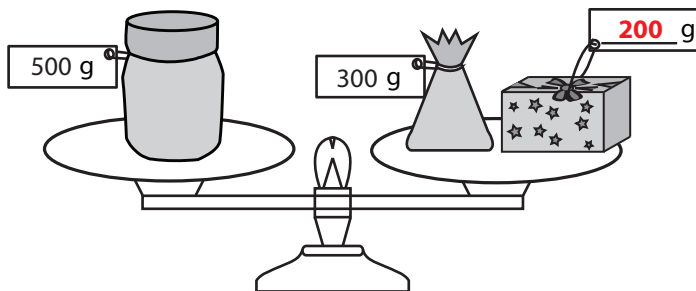
1)



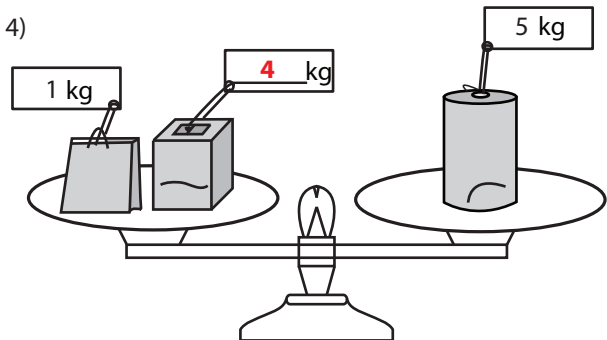
2)



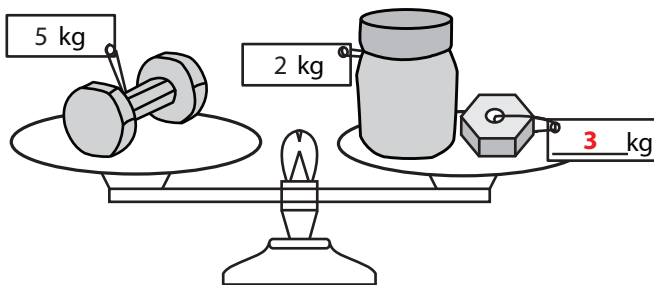
3)



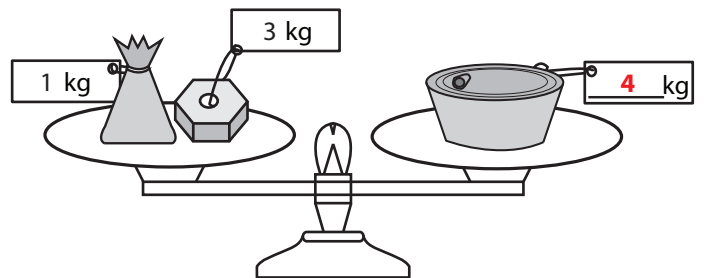
4)



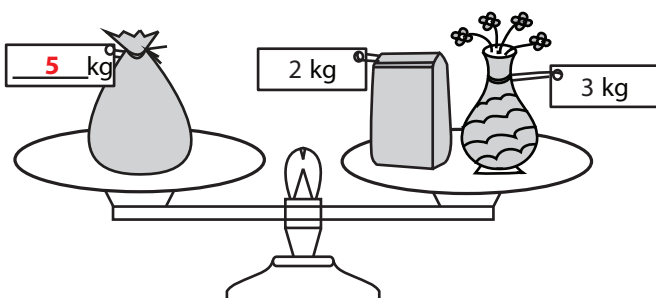
5)



6)



7)



8)

