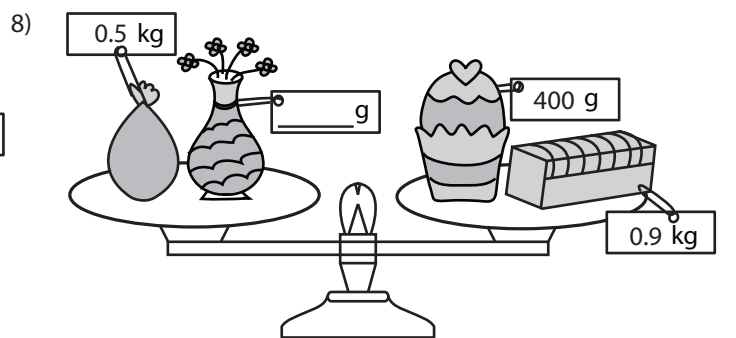
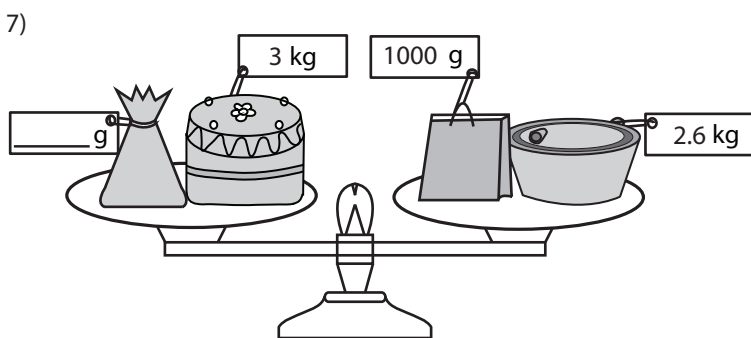
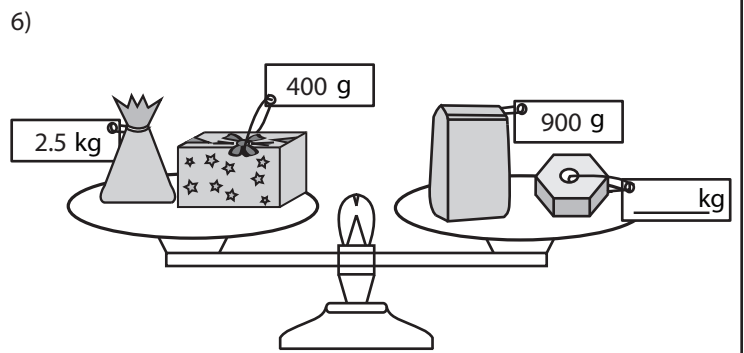
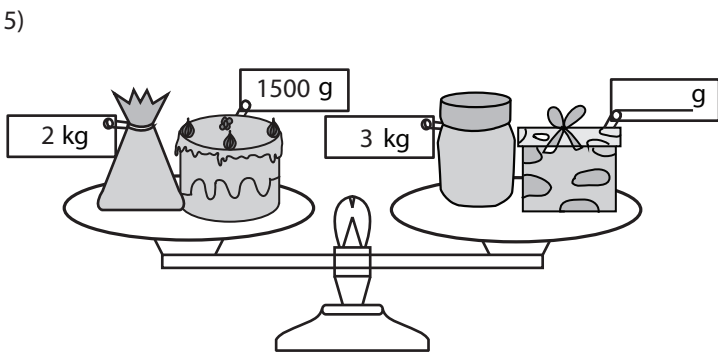
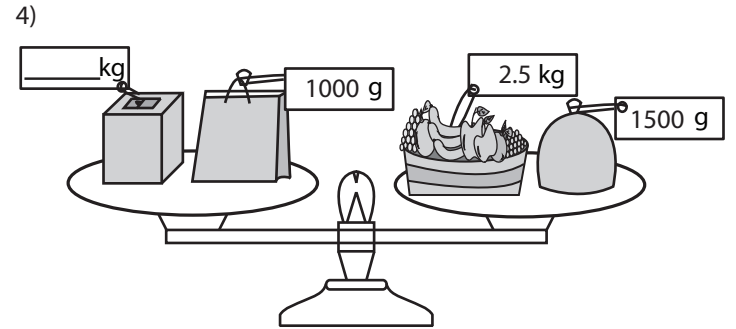
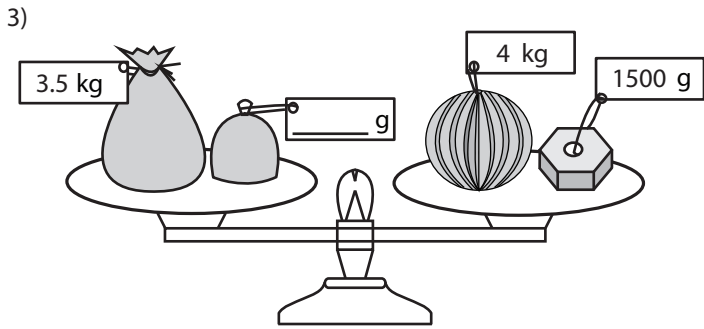
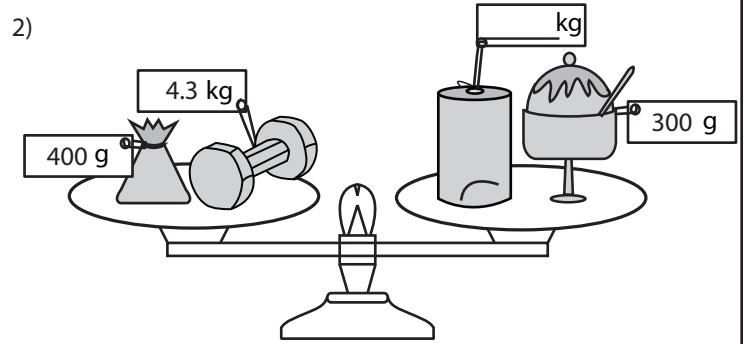
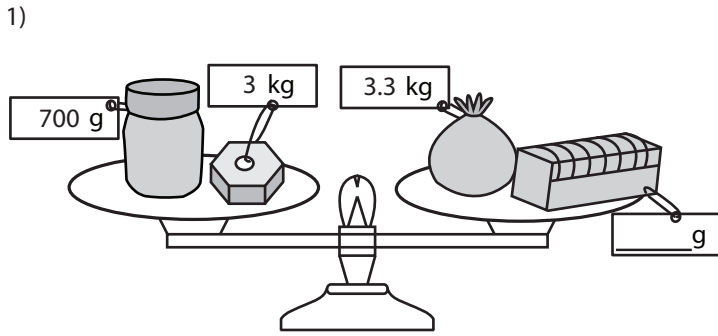


Balancing Scale - Metric Units

DS3

Calculate the unknown weight to balance each scale.



Answer key

Balancing Scale - Metric Units

DS3

Calculate the unknown weight to balance each scale.

