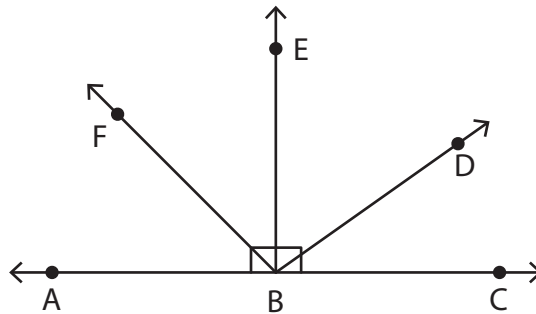


# Sorting Acute, Right, and Obtuse Angles

Observe the following figure, identify and sort the angles into their respective columns.

1)



Acute angles	Right angles	Obtuse angles
<div data-bbox="446 750 1141 1668" style="border: 2px solid #0099cc; padding: 10px;"> <h2 style="color: #0099cc; margin: 0;">PREVIEW</h2> <p style="color: #0099cc; font-weight: bold; margin: 5px 0;">Gain complete access to the largest collection of worksheets in all subjects!</p> <div style="display: flex; justify-content: space-around; margin: 10px 0;"> <div data-bbox="502 1198 790 1512" style="background-color: #0099cc; color: white; padding: 5px; transform: rotate(-2deg);"> <p>Members, please log in to download this worksheet.</p> </div> <div data-bbox="805 1198 1093 1512" style="background-color: #0099cc; color: white; padding: 5px; transform: rotate(-2deg);"> <p>Not a member? Please sign up to gain complete access.</p> </div> </div> <p style="color: #0099cc; font-size: small; margin: 10px 0;"><a href="http://www.mathworksheets4kids.com">www.mathworksheets4kids.com</a></p> </div>		

2)

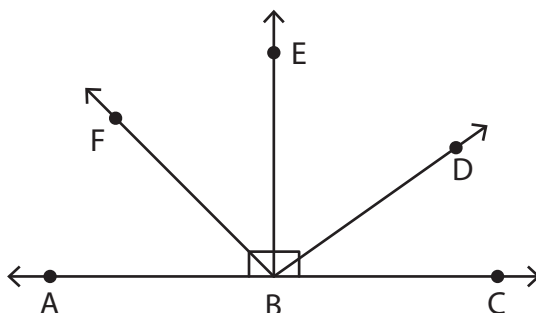
Acute angles	Right angles	Obtuse angles

Name : \_\_\_\_\_

## Sorting Acute, Right, and Obtuse Angles

Observe the following figure, identify and sort the angles into their respective columns.

1)



Acute angles	Right angles	Obtuse angles
$\angle ABF$ or $\angle FEB$ $\angle FBE$ or $\angle EBF$ $\angle EBD$ or $\angle DBE$ $\angle DBC$ or $\angle CBD$	<div style="border: 2px solid blue; padding: 10px; width: fit-content; margin: auto;"> <h1 style="color: blue; margin: 0;">PREVIEW</h1> <p style="color: blue; font-size: 1.2em; margin: 5px 0;">Gain complete access to the largest collection of worksheets in all subjects!</p> <div style="display: flex; justify-content: space-around; margin: 10px 0;"> <div style="background-color: #007bff; color: white; padding: 5px; transform: rotate(-2deg); text-align: center;"> <p>Members, please log in to download this worksheet.</p> </div> <div style="background-color: #007bff; color: white; padding: 5px; transform: rotate(2deg); text-align: center;"> <p>Not a member? Please sign up to gain complete access.</p> </div> </div> <p style="color: blue; font-size: 0.8em; margin: 0;">www.mathworksheets4kids.com</p> </div>	$\angle ABD$ or $\angle DBA$ $\angle CBF$ or $\angle FBC$

2)

Acute angles	Right angles	Obtuse angles
$\angle PQT$ or $\angle TQP$ $\angle TQS$ or $\angle SQT$ $\angle SQR$ or $\angle RQS$	$\angle PQS$ or $\angle SQP$ $\angle RQT$ or $\angle TQR$	$\angle PQR$ or $\angle RQP$