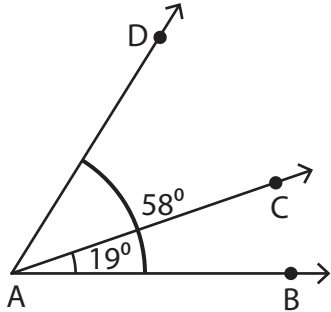


Adjacent Angles

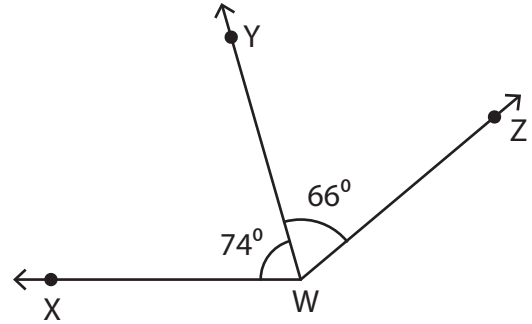
Find the measure of each indicated angle.

1)



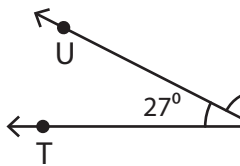
$m\angle DAC =$ _____

2)

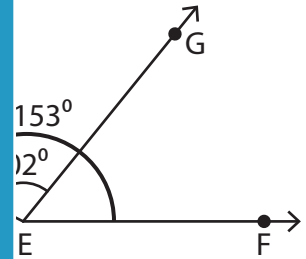


$=$ _____

3)

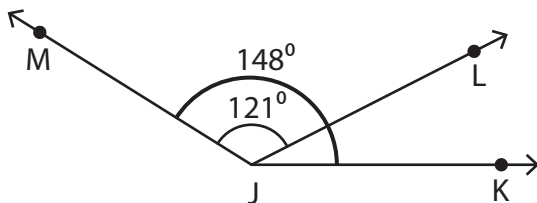


$m\angle VST =$ _____

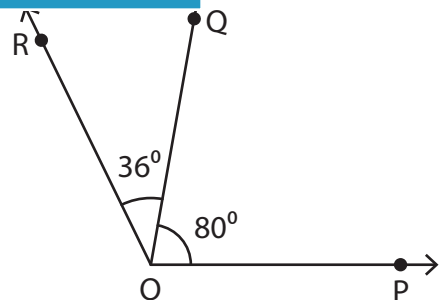


$=$ _____

5)



$m\angle LJK =$ _____



$m\angle ROP =$ _____

PREVIEW

Gain complete access to the largest collection of worksheets in all subjects!

Members, please log in to download this worksheet.

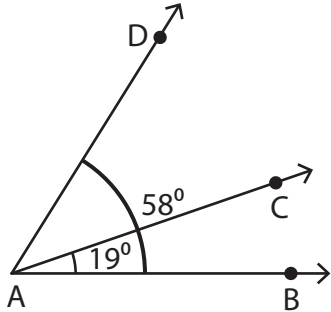
Not a member? Please sign up to gain complete access.

www.mathworksheets4kids.com

Adjacent Angles

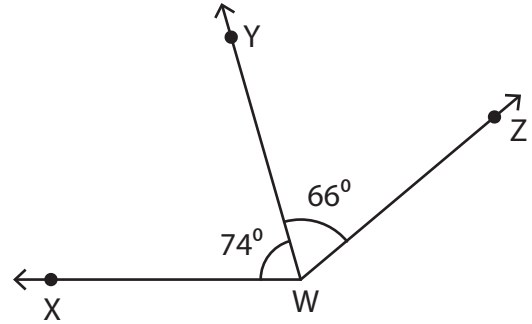
Find the measure of each indicated angle.

1)



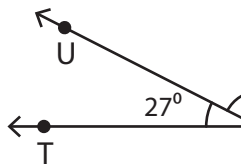
$m\angle DAC =$ _____

2)



$=$ 140°

3)



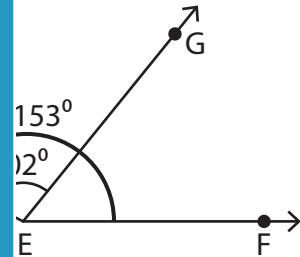
$m\angle VST =$ _____

Gain complete access to the largest collection of worksheets in all subjects!

Members, please log in to download this worksheet.

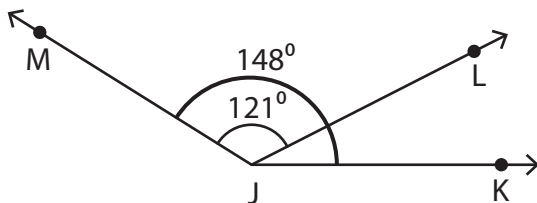
Not a member? Please sign up to gain complete access.

www.mathworksheets4kids.com

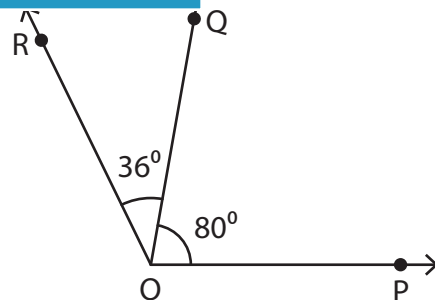


$=$ 51°

5)



$m\angle LJK =$ 27°



$m\angle ROP =$ 116°