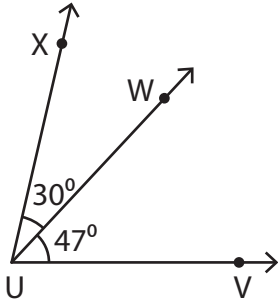


Adjacent Angles

Find the value of x .

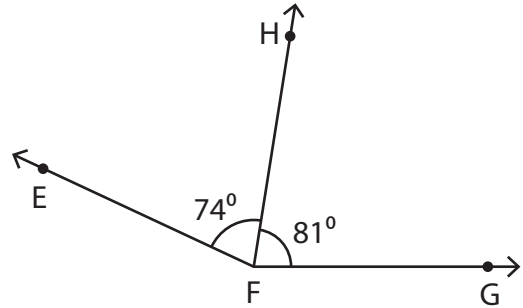
1)



$m\angle XUV =$ _____

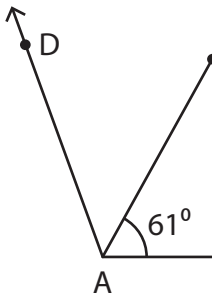
$x =$ _____

2)



$= (7x + 8)^\circ$

3)



$m\angle BAD = 110^\circ$, $m\angle BAC = x^\circ$

$x =$ _____

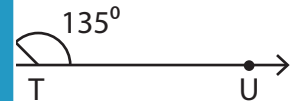
PREVIEW

Gain complete access to the largest collection of worksheets in all subjects!

Members, please log in to download this worksheet.

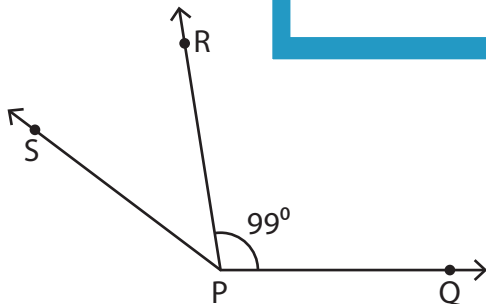
Not a member? Please sign up to gain complete access.

www.mathworksheets4kids.com



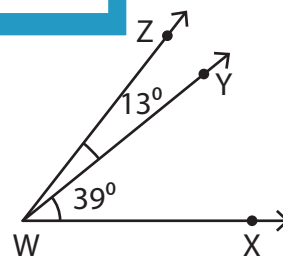
$m\angle STV = (2x + 17)^\circ$

5)



$m\angle SPQ = 143^\circ$, $m\angle RPS = (5x + 4)^\circ$

$x =$ _____

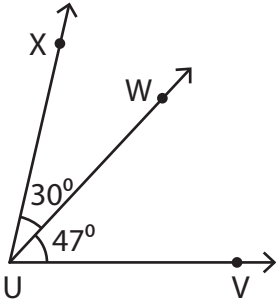


$m\angle XWZ = (9x - 56)^\circ$

$x =$ _____

Adjacent AnglesFind the value of x .

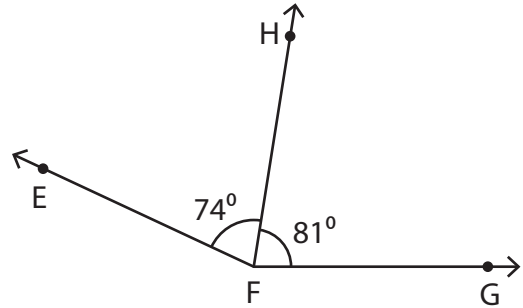
1)



$m\angle XUV =$

$x =$ _____

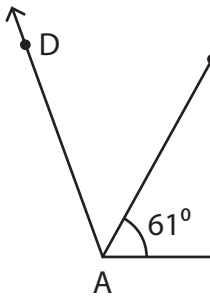
2)



$= (7x + 8)^\circ$

21

3)



$m\angle BAD = 110^\circ, m\angle BAC =$

$x =$ _____

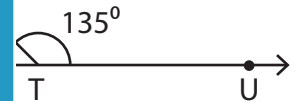
PREVIEW

Gain complete access to the largest collection of worksheets in all subjects!

Members, please log in to download this worksheet.

Not a member? Please sign up to gain complete access.

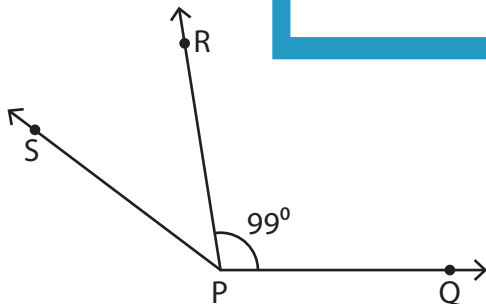
www.mathworksheets4kids.com



$m\angle STV = (2x + 17)^\circ$

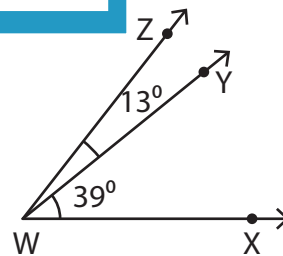
14

5)



$m\angle SPQ = 143^\circ, m\angle RPS = (5x + 4)^\circ$

$x =$ **8**



$m\angle XWZ = (9x - 56)^\circ$

$x =$ **12**