

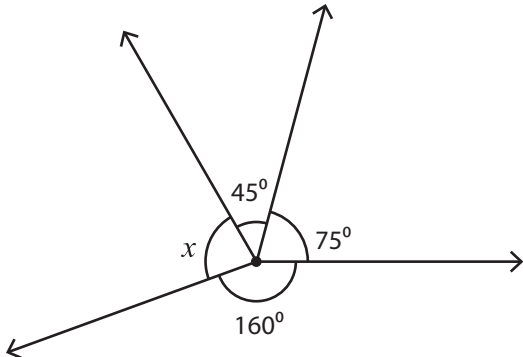
Name : _____

MS1

Angles Around a Point

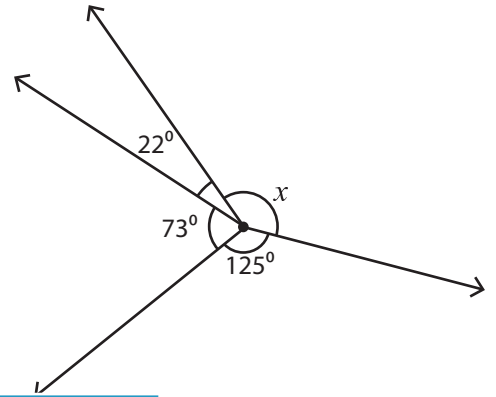
Find the measure of each unknown angle.

1)



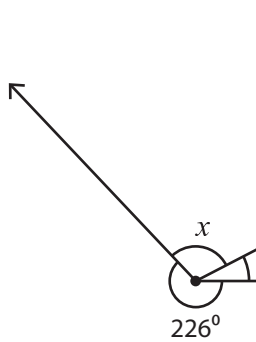
$x =$ _____

2)



$=$ _____

3)



$x =$ _____

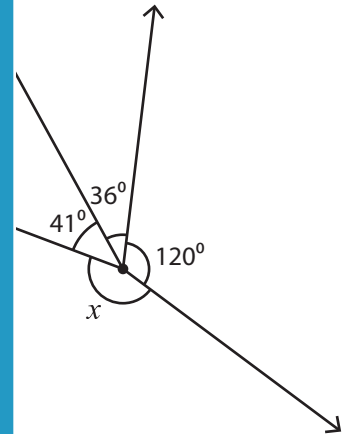
PREVIEW

Access the largest collection of
worksheets for just **\$19.95** per year!

Members, please
log in to
download this
worksheet.
Log in

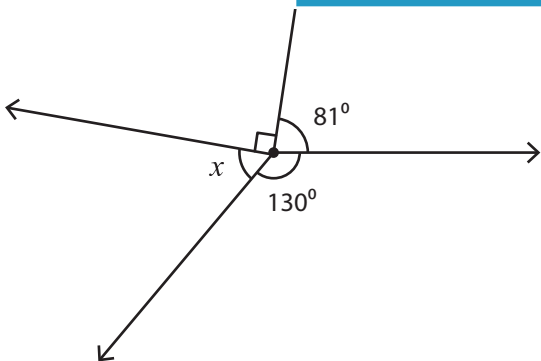
Not a member?
Please sign up to
gain complete
access.
Sign up

www.mathworksheets4kids.com

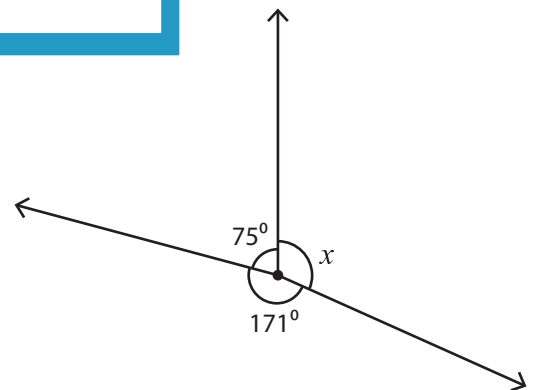


$=$ _____

5)



$x =$ _____



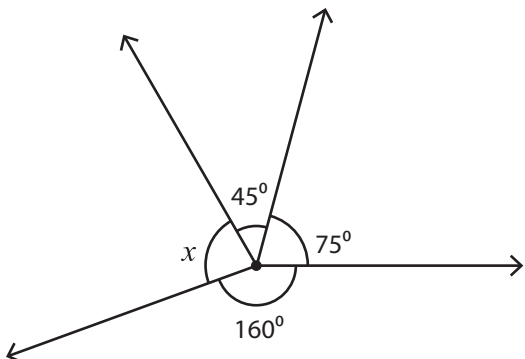
$x =$ _____

Name : _____

Angles Around a Point

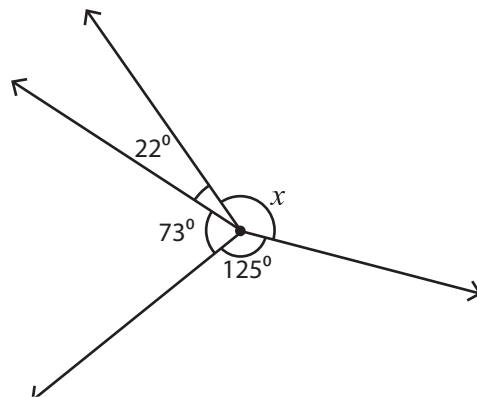
Find the measure of each unknown angle.

1)



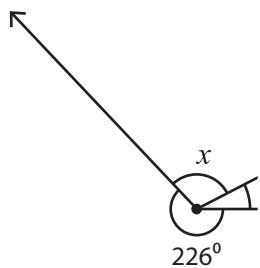
$x = 8$

2)



$= 140$

3)



$x = 10$

PREVIEW

Access the largest collection of
worksheets for just **\$19.95** per year!

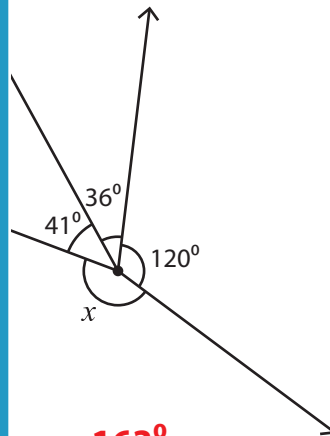
Members, please
log in to
download this
worksheet.

Log in

Not a member?
Please sign up to
gain complete
access.

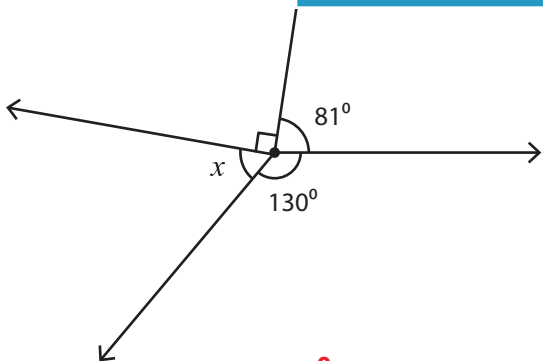
Sign up

www.mathworksheets4kids.com

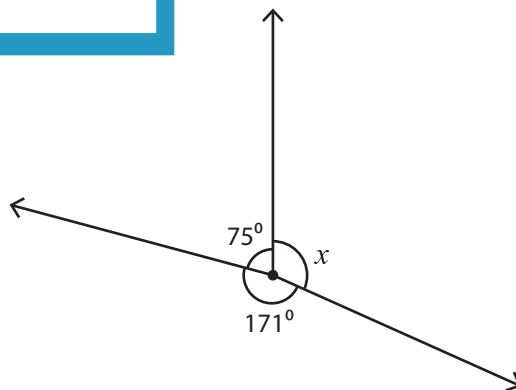


$= 163$

5)



$x = 59$



$x = 114$