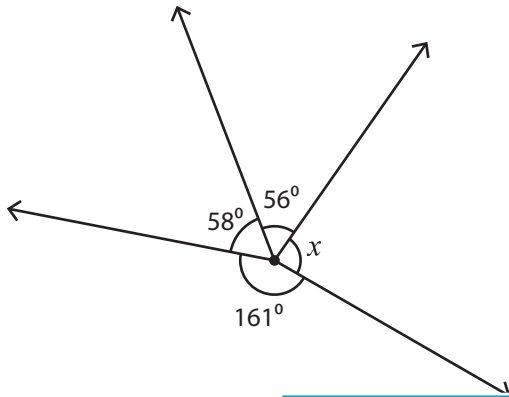


Name : _____

Angles Around a Point

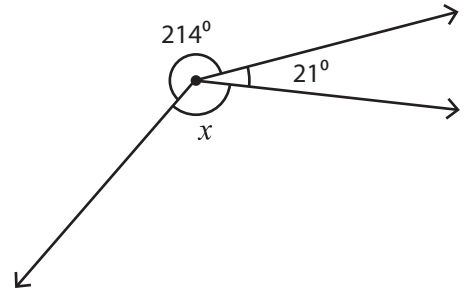
Find the measure of each unknown angle.

1)



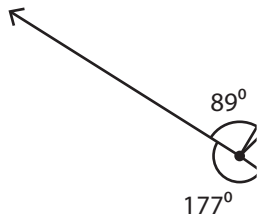
$x =$ _____

2)



$=$ _____

3)



$x =$ _____

Access the largest collection of worksheets for just **\$19.95** per year!

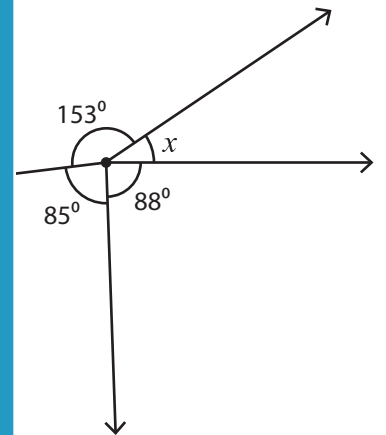
Members, please log in to download this worksheet.

Log in

Not a member? Please sign up to gain complete access.

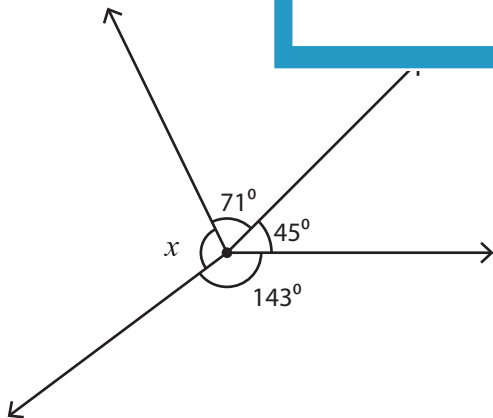
Sign up

www.mathworksheets4kids.com

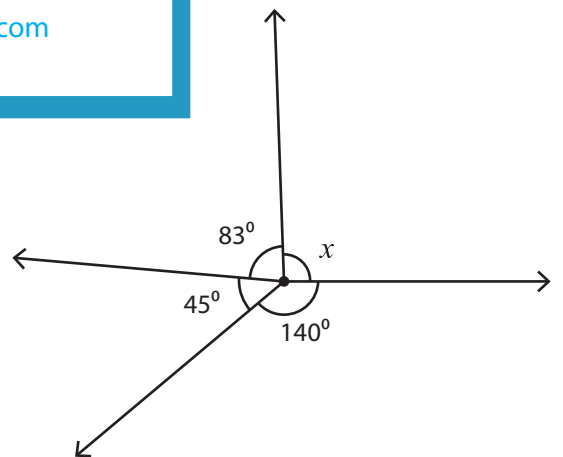


$=$ _____

5)



$x =$ _____



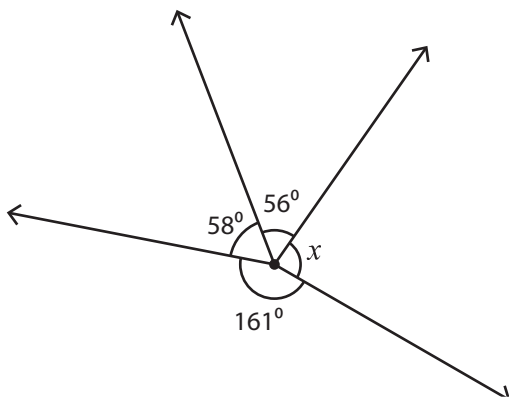
$x =$ _____

Name : _____

Angles Around a Point

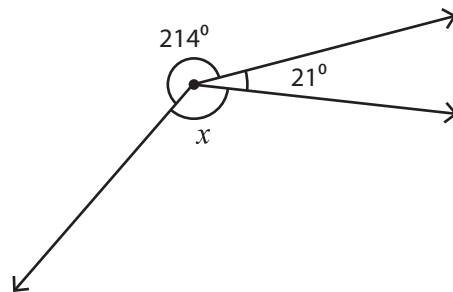
Find the measure of each unknown angle.

1)



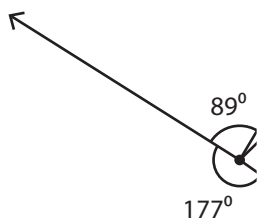
$x = \underline{8}$

2)



$= \underline{125^\circ}$

3)



$x = \underline{1}$

PREVIEW

Access the largest collection of
worksheets for just **\$19.95** per year!

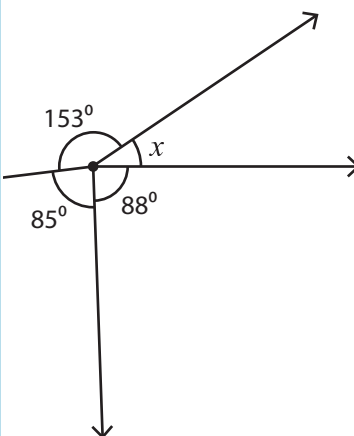
Members, please
log in to
download this
worksheet.

Log in

Not a member?
Please sign up to
gain complete
access.

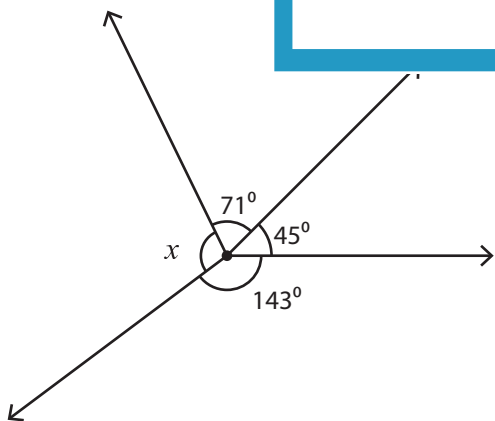
Sign up

www.mathworksheets4kids.com

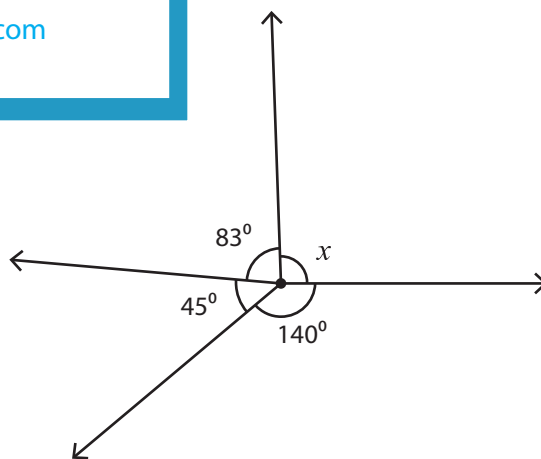


$= \underline{34^\circ}$

5)



$x = \underline{101^\circ}$



$x = \underline{92^\circ}$