

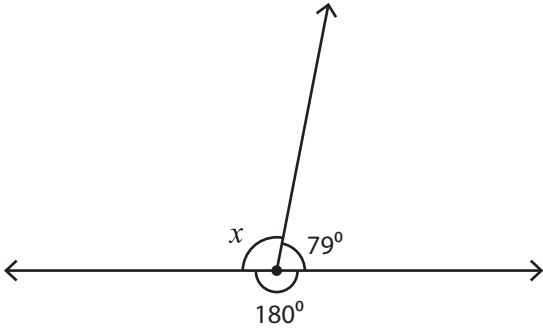
Name : _____

Angles Around a Point

MS3

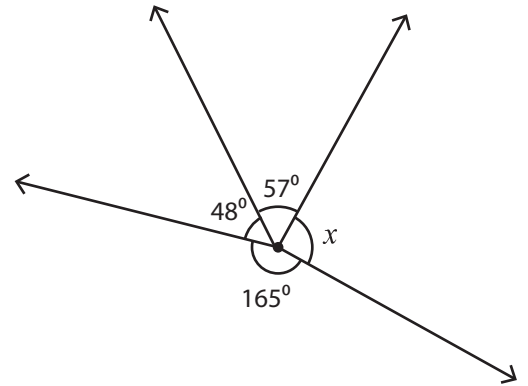
Find the measure of each unknown angle.

1)



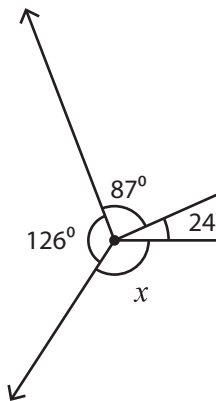
$x =$ _____

2)



$=$ _____

3)



$x =$ _____

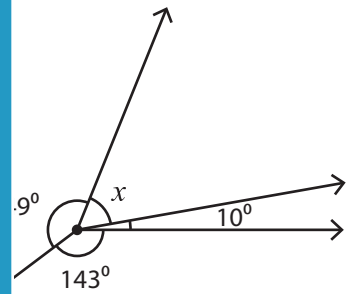
PREVIEW

Access the largest collection of
worksheets for just **\$19.95** per year!

Members, please
log in to
download this
worksheet.
Log in

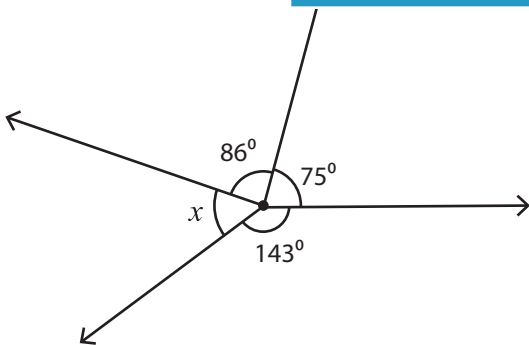
Not a member?
Please sign up to
gain complete
access.
Sign up

www.mathworksheets4kids.com

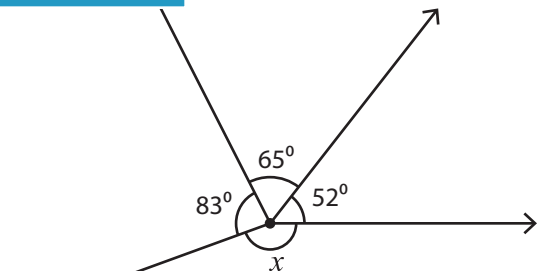


$=$ _____

5)



$x =$ _____



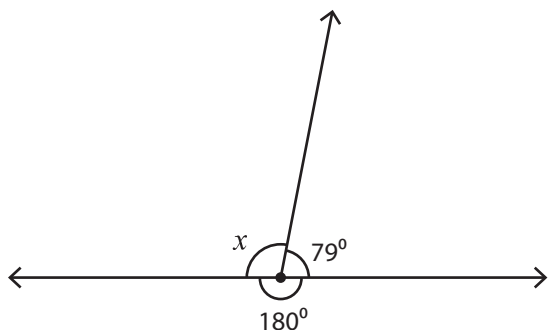
$x =$ _____

Name : _____

Angles Around a Point

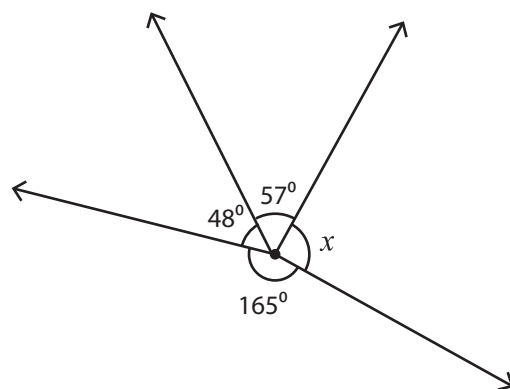
Find the measure of each unknown angle.

1)



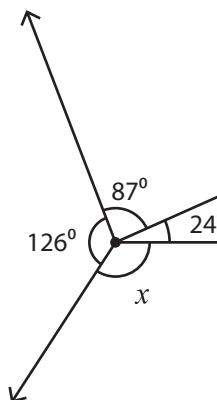
$x = \underline{101}$

2)



$= \underline{90^\circ}$

3)



$x = \underline{119}$

PREVIEW

Access the largest collection of worksheets for just **\$19.95** per year!

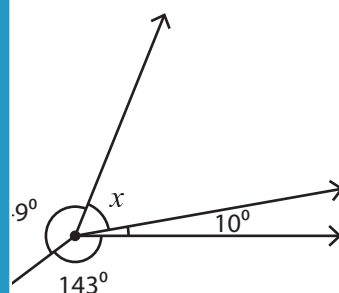
Members, please log in to download this worksheet.

Log in

Not a member? Please sign up to gain complete access.

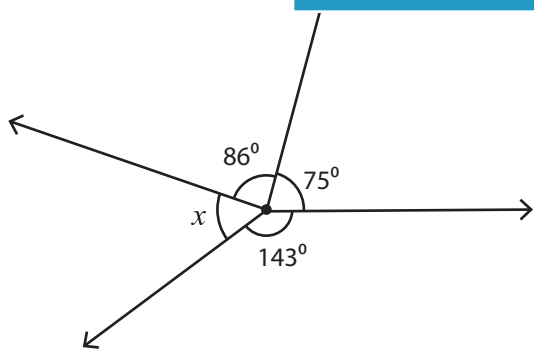
Sign up

www.mathworksheets4kids.com

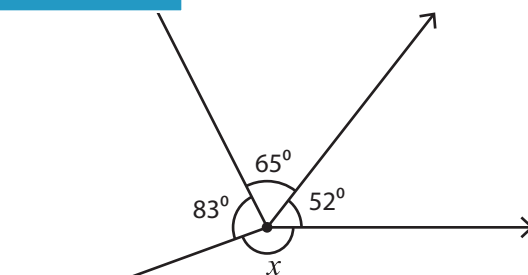


$= \underline{58^\circ}$

5)



$x = \underline{56^\circ}$



$x = \underline{160^\circ}$