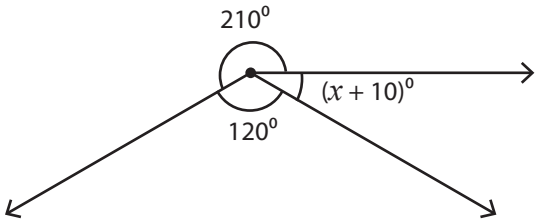


# Angles Around a Point

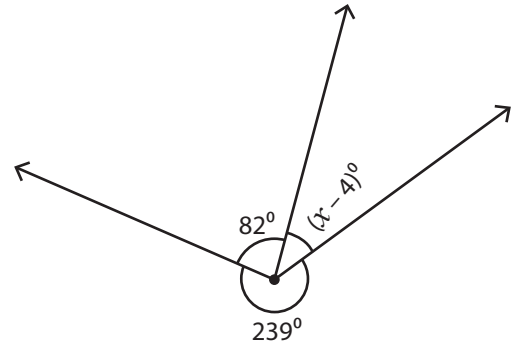
Find the value of  $x$ .

1)



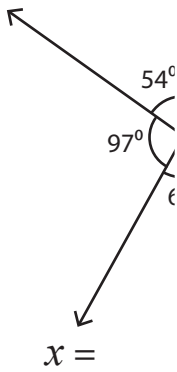
$x =$  \_\_\_\_\_

2)



$=$  \_\_\_\_\_

3)



$x =$  \_\_\_\_\_

## PREVIEW

Access the largest collection of  
worksheets for just **\$19.95** per year!

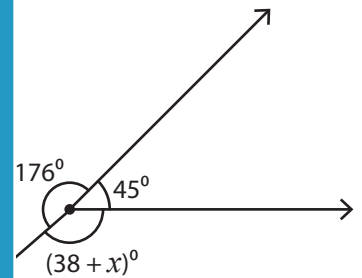
Members, please  
log in to  
download this  
worksheet.

Log in

Not a member?  
Please sign up to  
gain complete  
access.

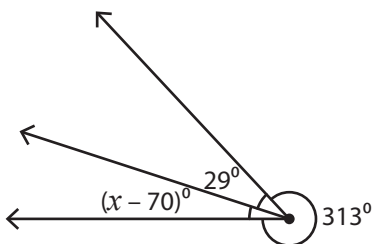
Sign up

[www.mathworksheets4kids.com](http://www.mathworksheets4kids.com)

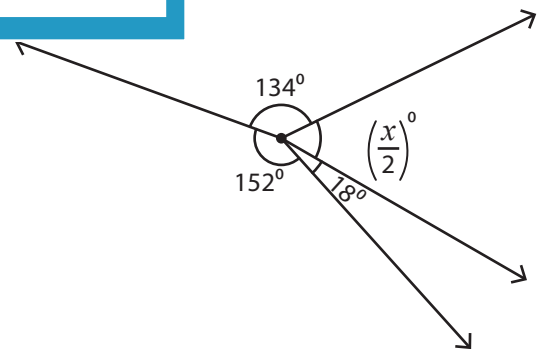


$=$  \_\_\_\_\_

5)



$x =$  \_\_\_\_\_



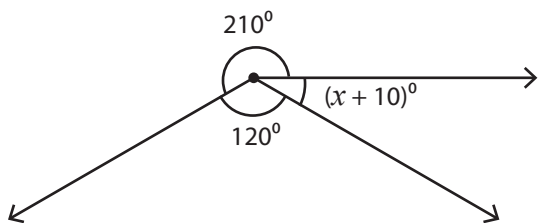
$x =$  \_\_\_\_\_

Name : \_\_\_\_\_

**Angles Around a Point**

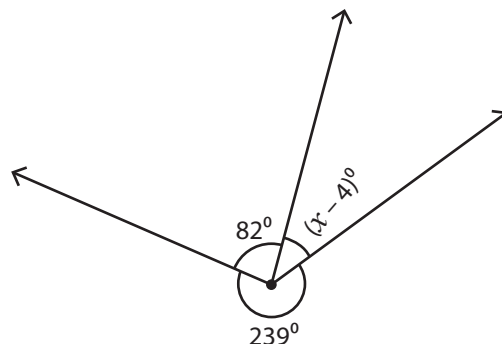
Find the value of  $x$ .

1)



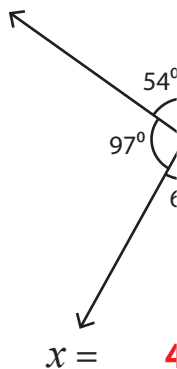
$x =$  2

2)



$=$  43

3)



$x =$  4

**PREVIEW**

Access the largest collection of worksheets for just **\$19.95** per year!

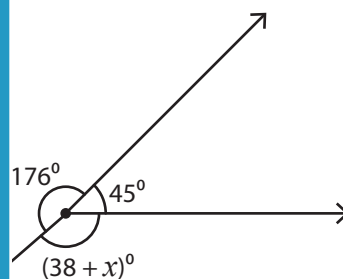
Members, please log in to download this worksheet.

**Log in**

Not a member? Please sign up to gain complete access.

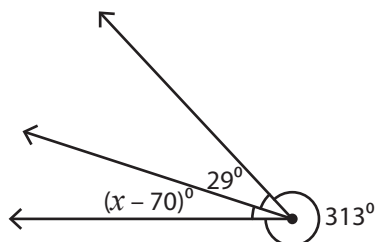
**Sign up**

[www.mathworksheets4kids.com](http://www.mathworksheets4kids.com)

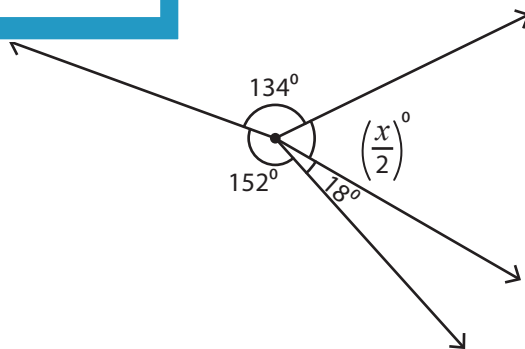


$=$  101

5)



$x =$  88



$x =$  112