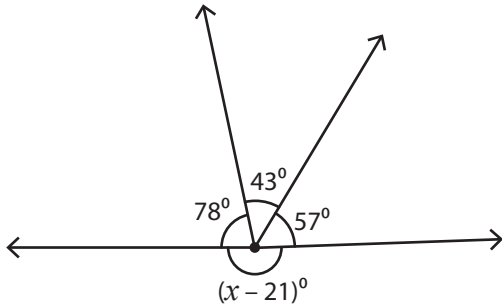


Angles Around a Point

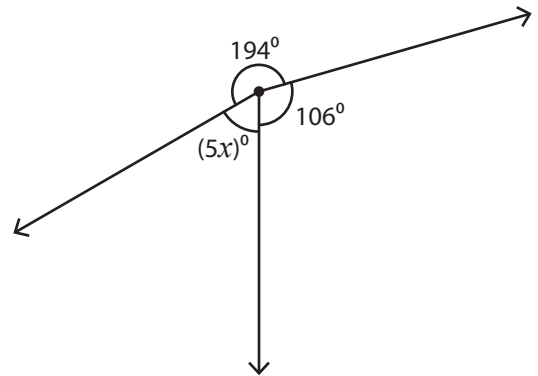
Find the value of x .

1)



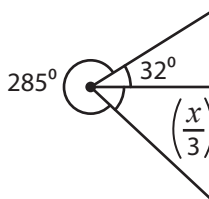
$x =$ _____

2)



$=$ _____

3)



$x =$ _____

Access the largest collection of worksheets for just **\$19.95** per year!

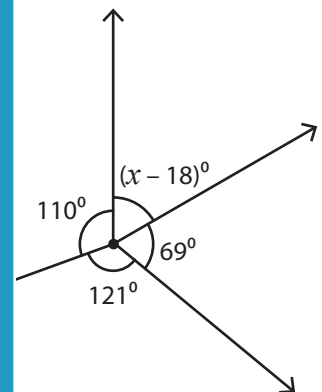
Members, please log in to download this worksheet.

Log in

Not a member? Please sign up to gain complete access.

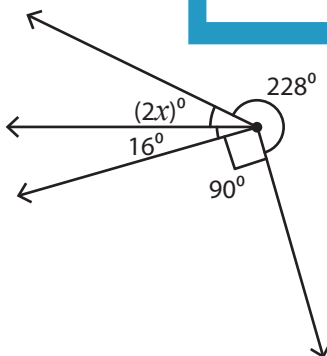
Sign up

www.mathworksheets4kids.com

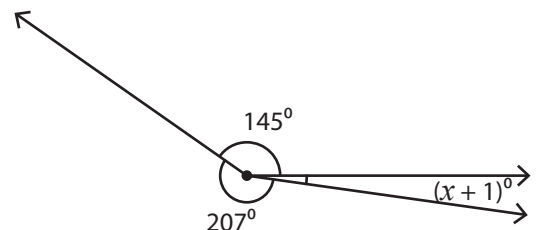


$=$ _____

5)



$x =$ _____



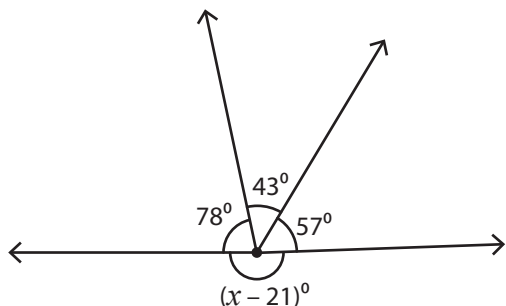
$x =$ _____

Name : _____

Angles Around a Point

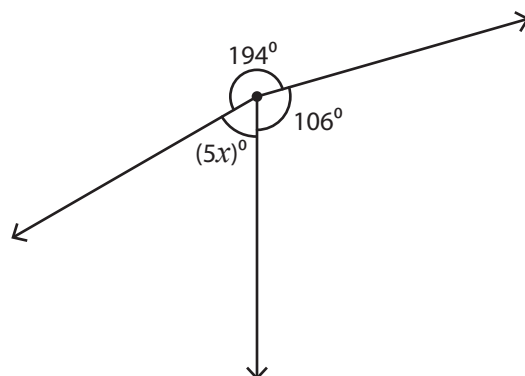
Find the value of x .

1)



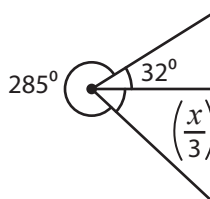
$x = \underline{\quad 2 \quad}$

2)



$= \underline{\quad 12 \quad}$

3)



$x = \underline{\quad 1 \quad}$

PREVIEW

Access the largest collection of worksheets for just **\$19.95** per year!

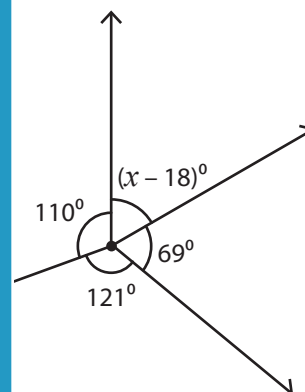
Members, please log in to download this worksheet.

Log in

Not a member? Please sign up to gain complete access.

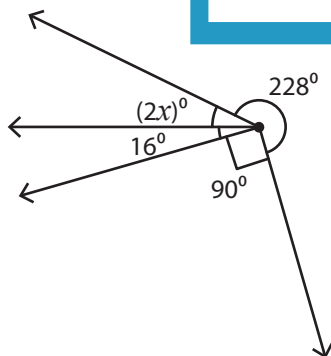
Sign up

www.mathworksheets4kids.com

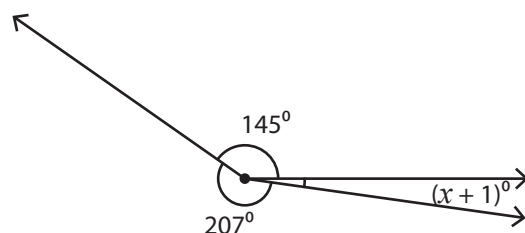


$= \underline{\quad 78 \quad}$

5)



$x = \underline{\quad 13 \quad}$



$x = \underline{\quad 7 \quad}$