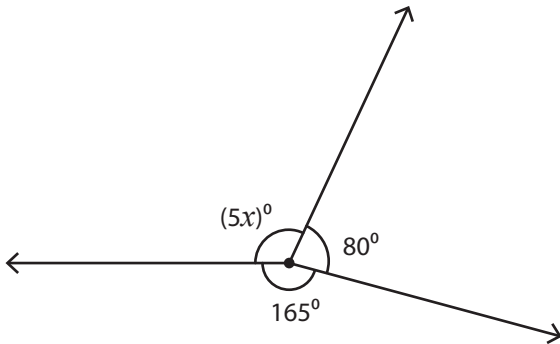


Angles Around a Point

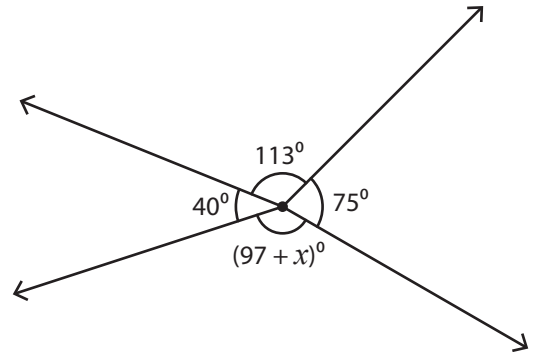
Find the value of x .

1)



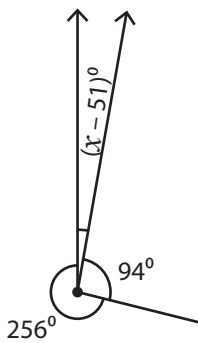
$x =$ _____

2)



$=$ _____

3)



$x =$ _____

PREVIEW

Access the largest collection of
worksheets for just **\$19.95** per year!

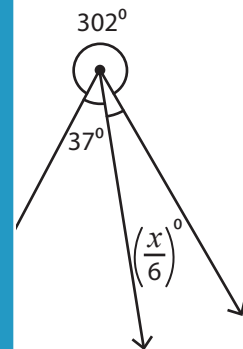
Members, please
log in to
download this
worksheet.

Log in

Not a member?
Please sign up to
gain complete
access.

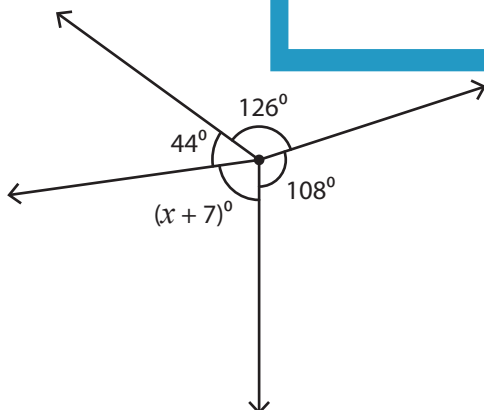
Sign up

www.mathworksheets4kids.com

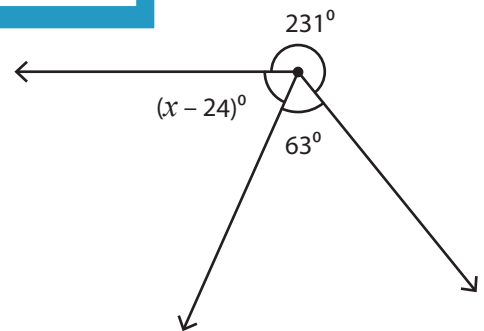


$=$ _____

5)



$x =$ _____



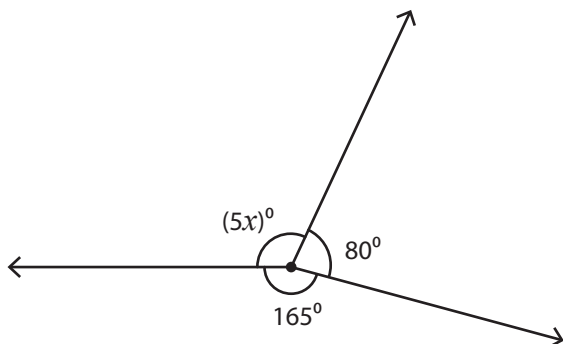
$x =$ _____

Name : _____

Angles Around a Point

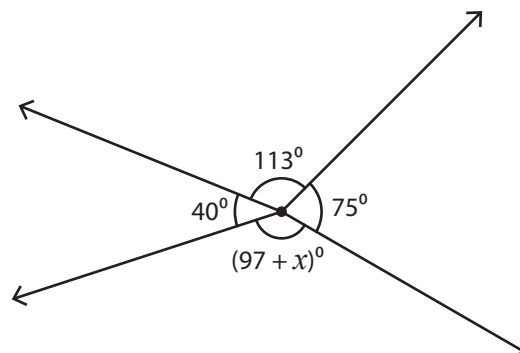
Find the value of x .

1)



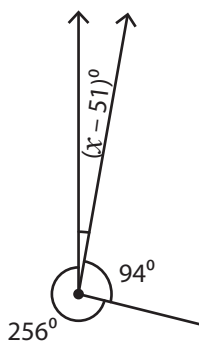
$x =$ 22

2)



$=$ 35

3)



$x =$ 66

PREVIEW

Access the largest collection of worksheets for just **\$19.95** per year!

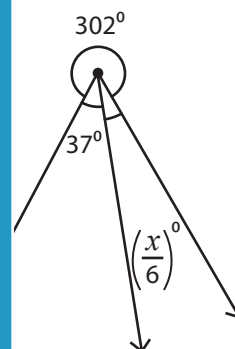
Members, please log in to download this worksheet.

Log in

Not a member? Please sign up to gain complete access.

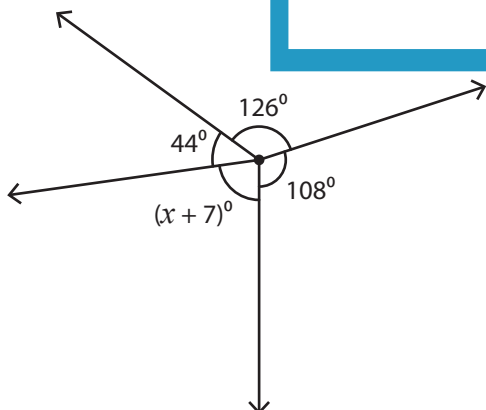
Sign up

www.mathworksheets4kids.com

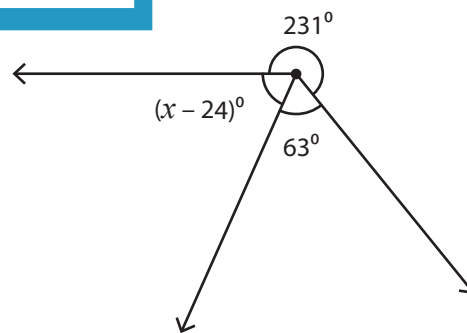


$=$ 126

5)



$x =$ 75



$x =$ 90