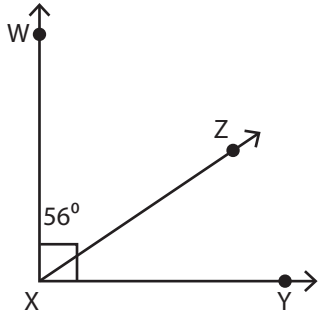


# Finding Complementary & Supplementary Angles

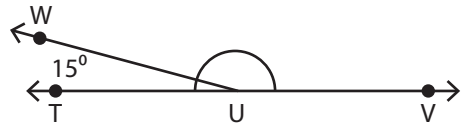
Determine the measure of each angle.

1)



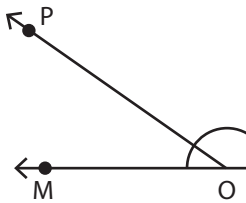
$m\angle ZXY =$  \_\_\_\_\_

2)



$m\angle WUV =$  \_\_\_\_\_

3)



$m\angle MOP =$  \_\_\_\_\_

5)



$m\angle QRT =$  \_\_\_\_\_

## PREVIEW

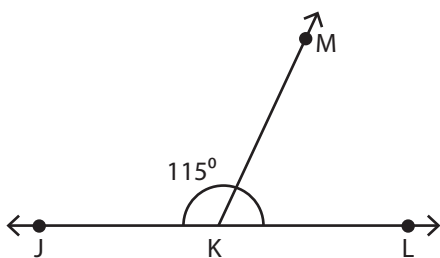
Gain complete access to the largest collection of worksheets in all subjects!

Members, please log in to download this worksheet.

Not a member? Please sign up to gain complete access.

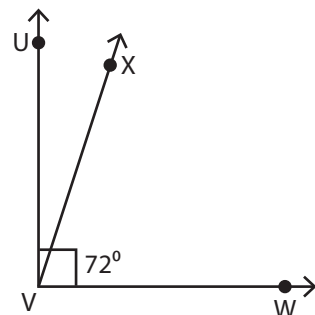
[www.mathworksheets4kids.com](http://www.mathworksheets4kids.com)

7)



$m\angle MKL =$  \_\_\_\_\_

8)

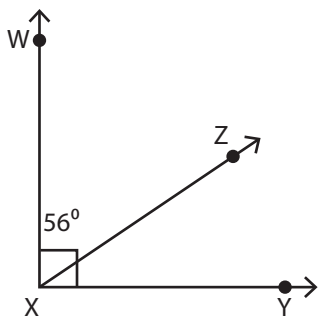


$m\angle UVX =$  \_\_\_\_\_

**Finding Complementary & Supplementary Angles**

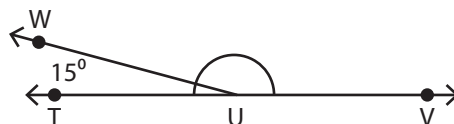
Determine the measure of each angle.

1)



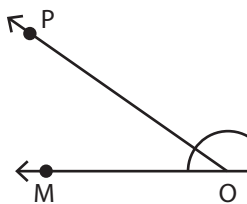
$m\angle ZXY = \underline{34^\circ}$

2)



$m\angle WUV = \underline{165^\circ}$

3)



$m\angle MOP = \underline{3}$

**PREVIEW**

Gain complete access to the largest collection of worksheets in all subjects!

Members, please log in to download this worksheet.

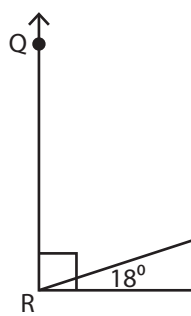
Not a member? Please sign up to gain complete access.

[www.mathworksheets4kids.com](http://www.mathworksheets4kids.com)

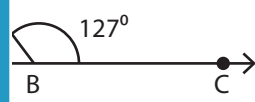


$\underline{82^\circ}$

5)

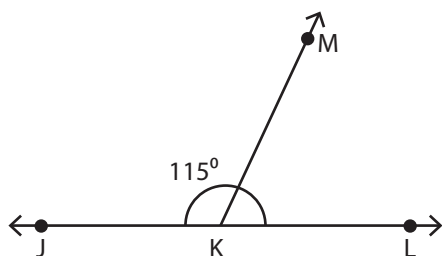


$m\angle QRT = \underline{7}$



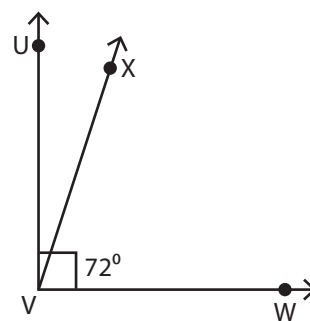
$\underline{53^\circ}$

7)



$m\angle MKL = \underline{65^\circ}$

8)



$m\angle UVX = \underline{18^\circ}$