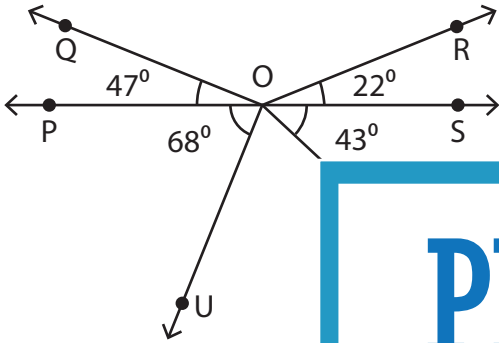


Complementary & Supplementary Angles

Observe the figure and answer the following.

1)

a) Name the two pairs of complementary angles.



b) Name the supplement of $\angle POU$.

2)

_____ complementary pair of

_____ 0.

_____ complementary angles.

_____ angle that is complement

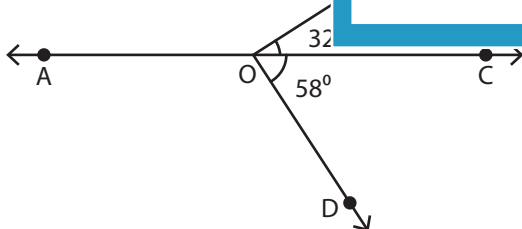
PREVIEW

Gain complete access to the largest collection of worksheets in all subjects!

Members, please log in to download this worksheet.

Not a member? Please sign up to gain complete access.

www.mathworksheets4kids.com



c) If $\angle AOD$ and $\angle DOC$ are supplementary pair of angles, find $m\angle AOD$.

d) Name the angles adjacent to $\angle DOC$.

Name : _____

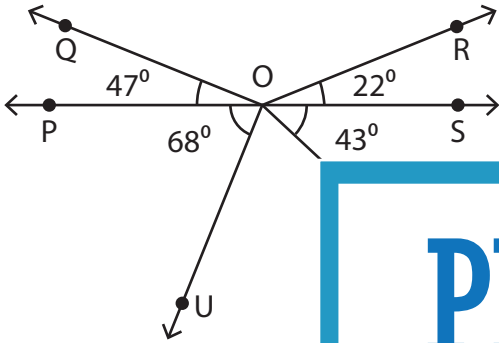
Complementary & Supplementary Angles

Observe the figure and answer the following.

1)

a) Name the two pairs of complementary angles.

$\angle POQ, \angle SOT$ and $\angle POU, \angle SOR$



b) Name the supplement of $\angle POU$.

$\angle UOS$

2)

complementary pair of

PREVIEW

Gain complete access to the largest collection of worksheets in all subjects!

Members, please log in to download this worksheet.

Not a member? Please sign up to gain complete access.

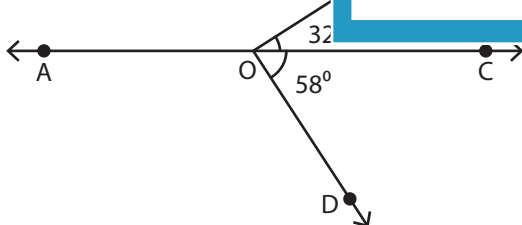
www.mathworksheets4kids.com

0.

plementary angles.

$\angle AOD, \angle DOC$

ngle that is complement



c) If $\angle AOD$ and $\angle DOC$ are supplementary pair of angles, find $m\angle AOD$.

122°

d) Name the angles adjacent to $\angle DOC$.

$\angle AOD$ and $\angle BOC$