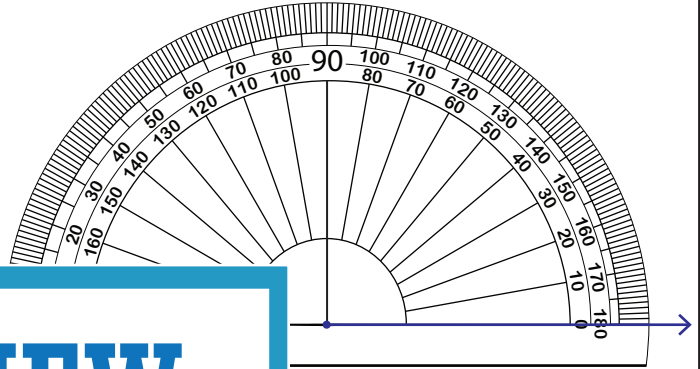
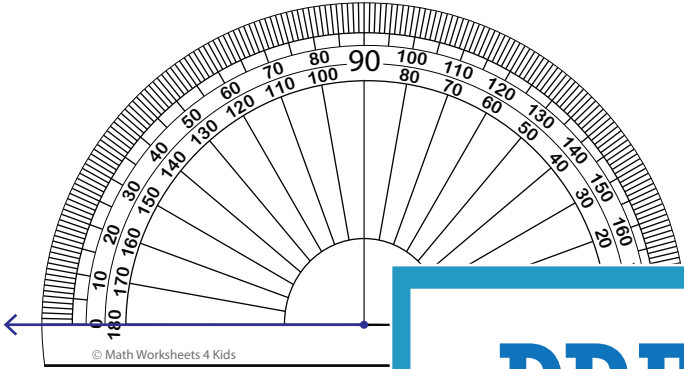


Drawing Angles

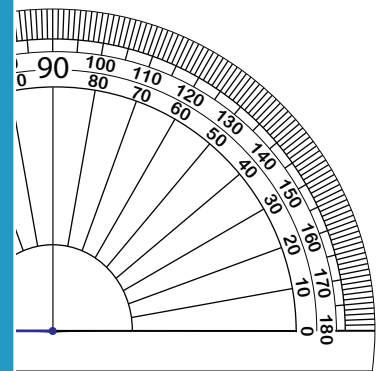
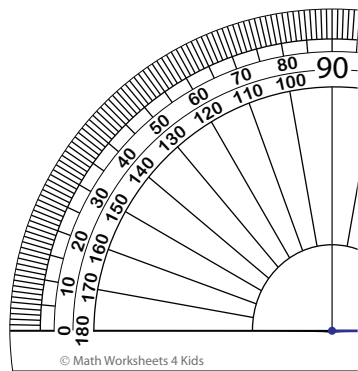
Draw each angle using a protractor.

1) 166°

2) 75°



3) 40°



PREVIEW

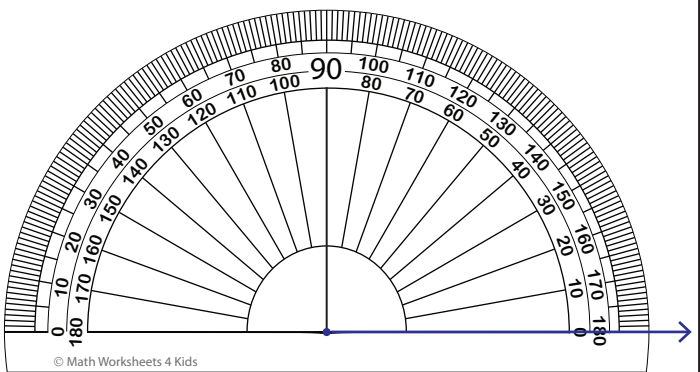
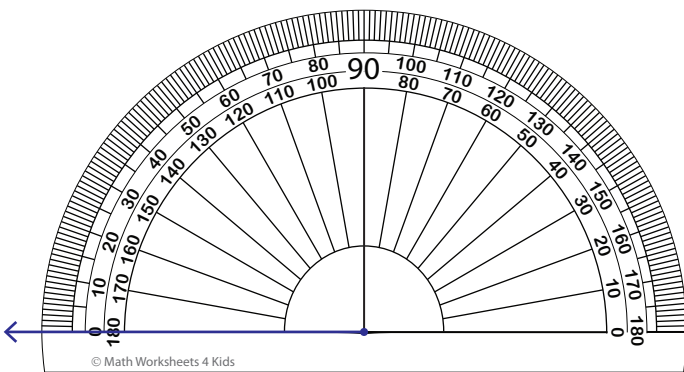
Gain complete access to the largest collection of worksheets in all subjects!

Members, please log in to download this worksheet.

Not a member? Please sign up to gain complete access.

www.mathworksheets4kids.com

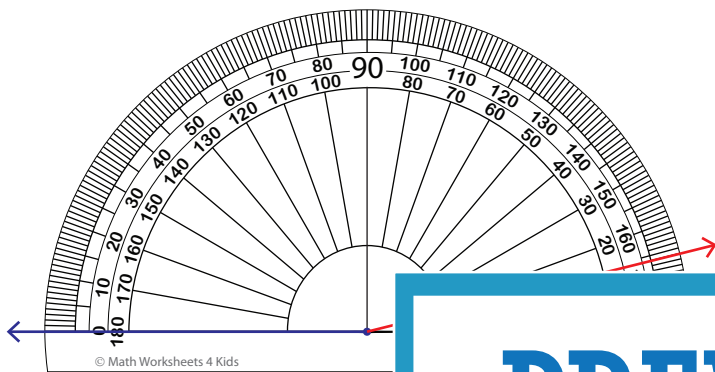
5) 135°



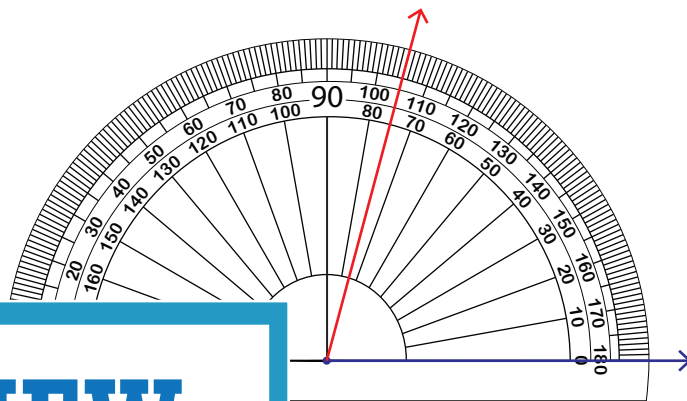
Drawing Angles

Draw each angle using a protractor.

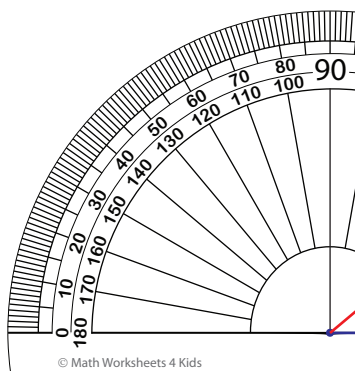
1) 166°



2) 75°



3) 40°



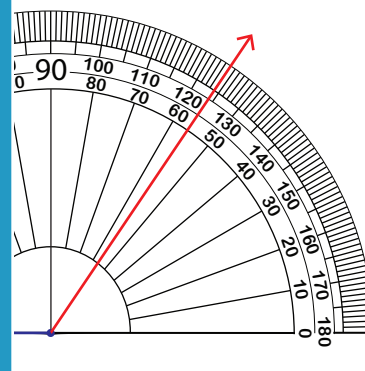
PREVIEW

Gain complete access to the largest collection of worksheets in all subjects!

Members, please log in to download this worksheet.

Not a member? Please sign up to gain complete access.

www.mathworksheets4kids.com



5) 135°

