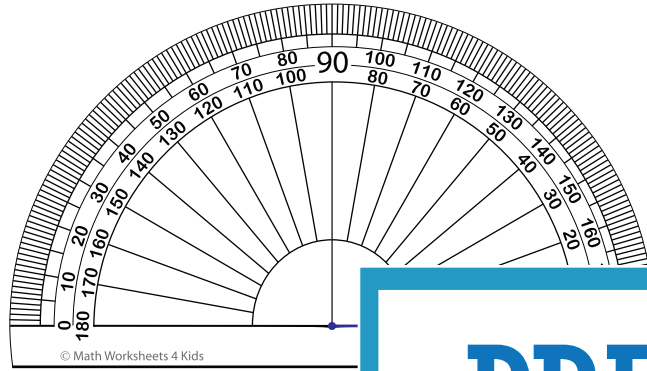


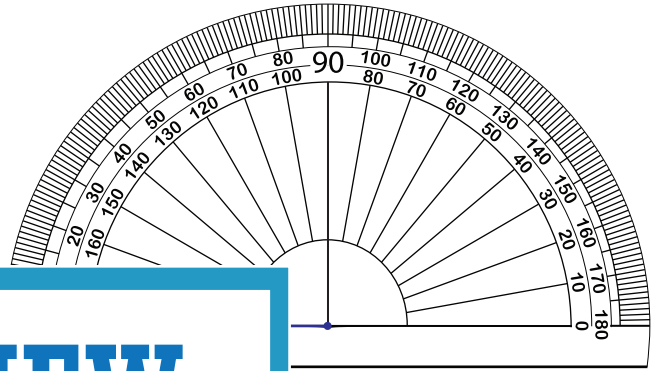
Drawing Angles

Draw each angle using a protractor.

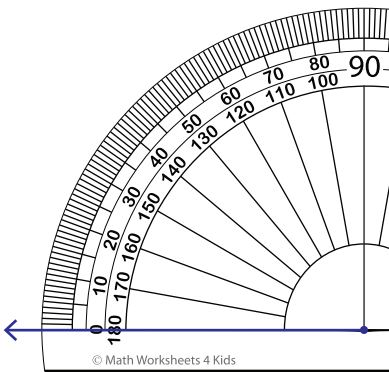
1) 28°



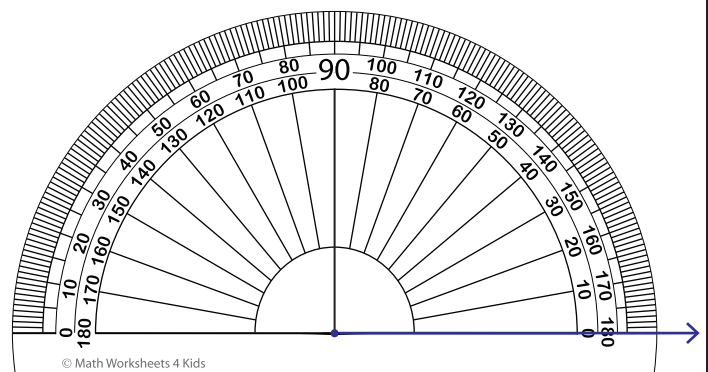
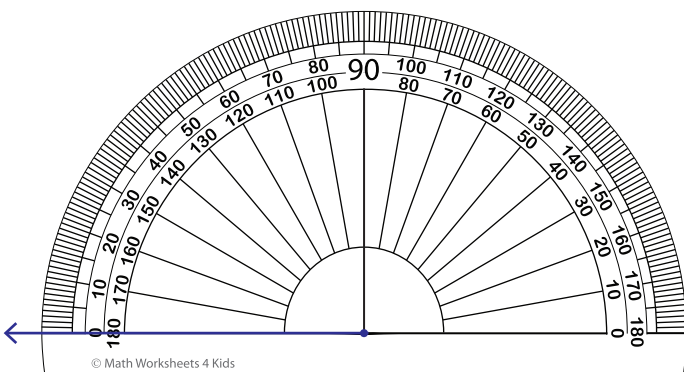
2) 121°



3) 57°



5) 65°



PREVIEW

Gain complete access to the largest collection of worksheets in all subjects!

Members, please log in to download this worksheet.

Not a member? Please sign up to gain complete access.

www.mathworksheets4kids.com