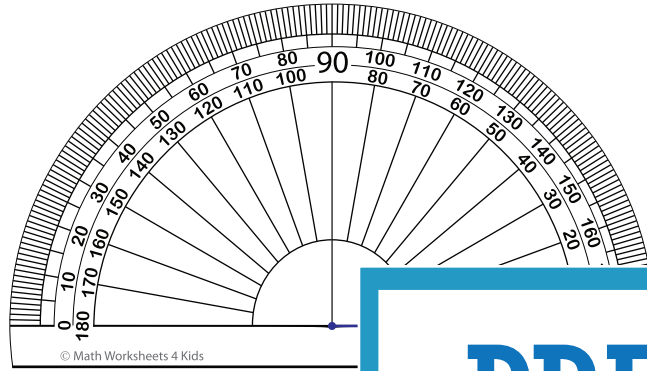


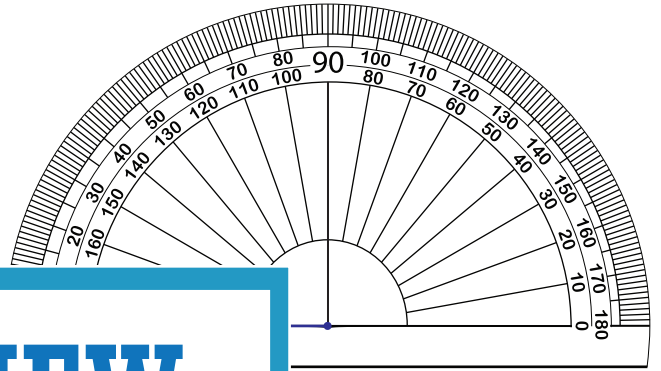
Drawing Angles

Draw each angle using a protractor.

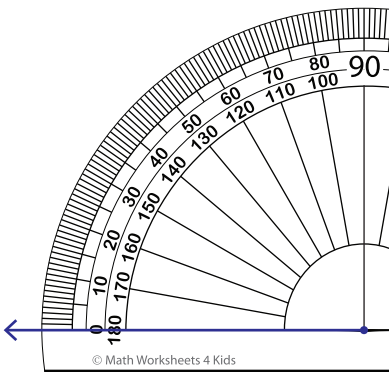
1) 93°



2) 48°



3) 71°



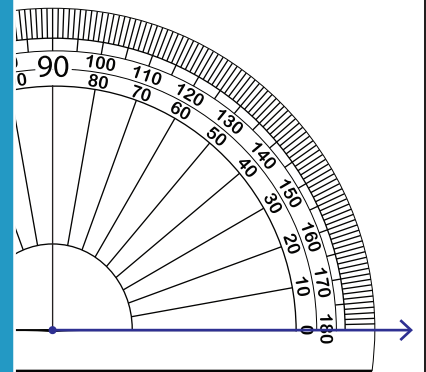
PREVIEW

Gain complete access to the largest collection of worksheets in all subjects!

Members, please log in to download this worksheet.

Not a member? Please sign up to gain complete access.

www.mathworksheets4kids.com



5) 126°

