

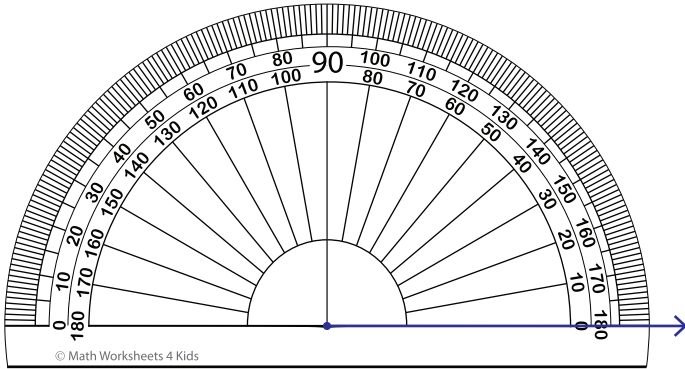
Name : _____

Drawing Angles - 5° Increments

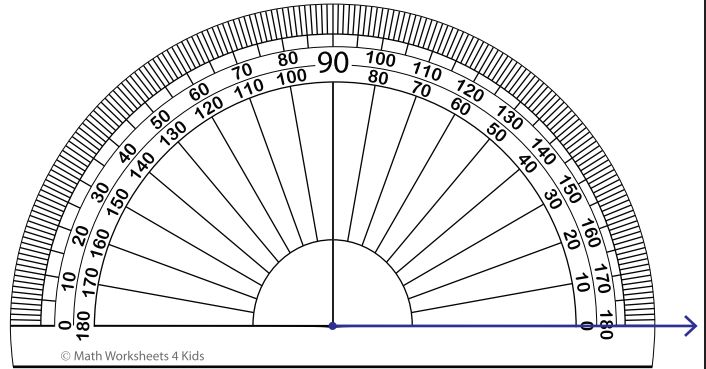
Sheet 1

Draw each angle using a protractor.

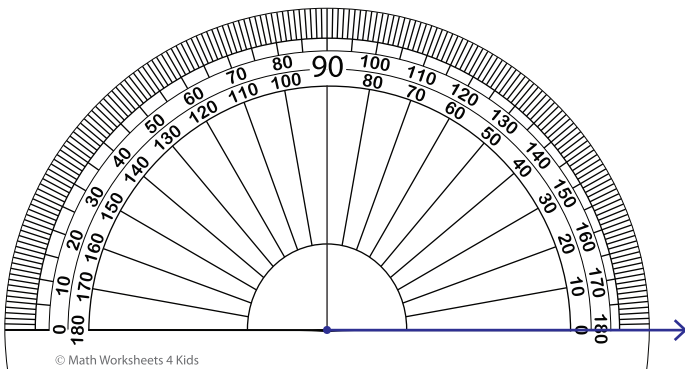
1) 70°



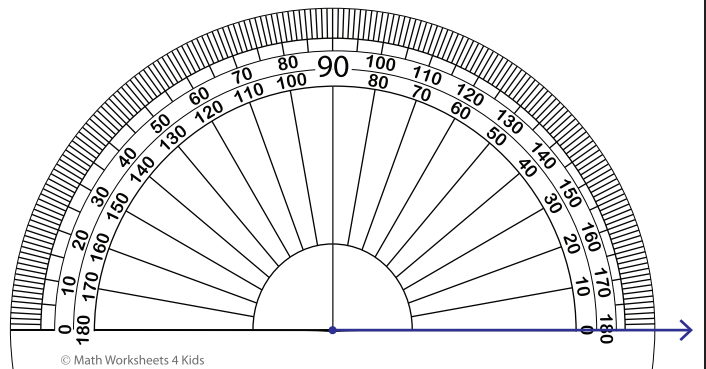
2) 125°



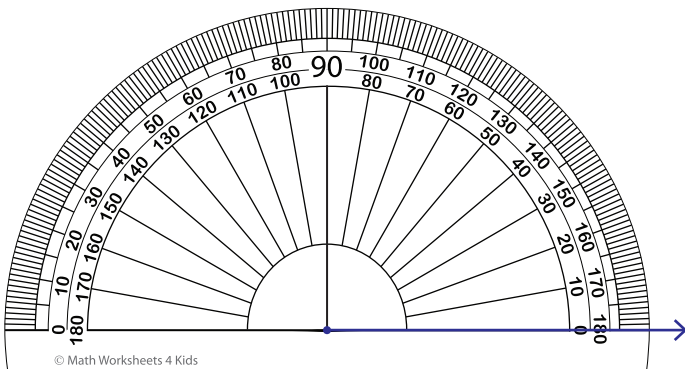
3) 155°



4) 30°



5) 65°



6) 140°

