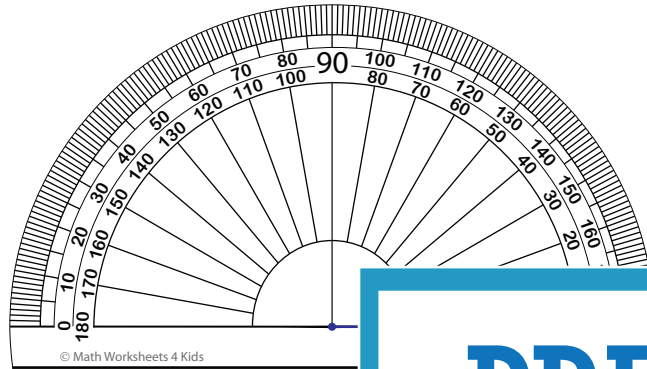


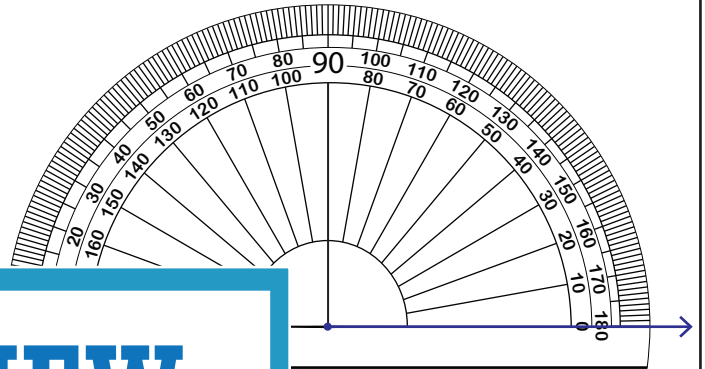
# Drawing Angles - 5° Increments

Draw each angle using a protractor.

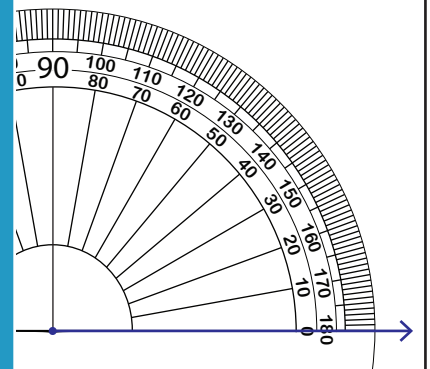
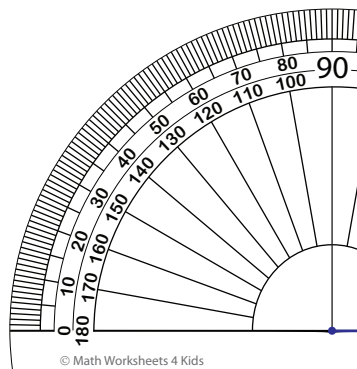
1) 115°



2) 85°



3) 130°



# PREVIEW

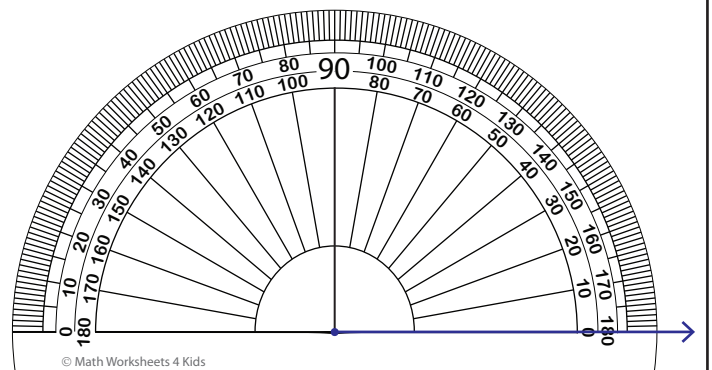
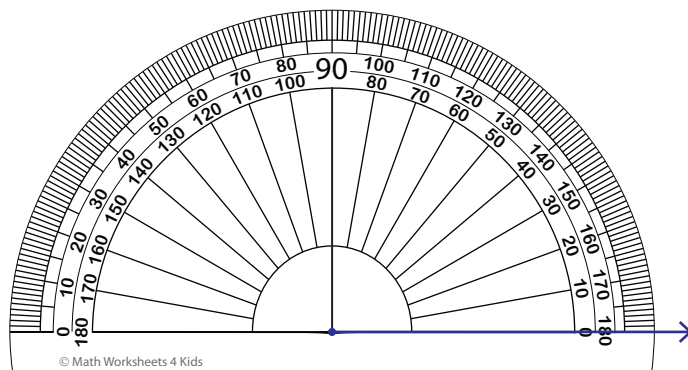
Gain complete access to the largest collection of worksheets in all subjects!

Members, please log in to download this worksheet.

Not a member? Please sign up to gain complete access.

[www.mathworksheets4kids.com](http://www.mathworksheets4kids.com)

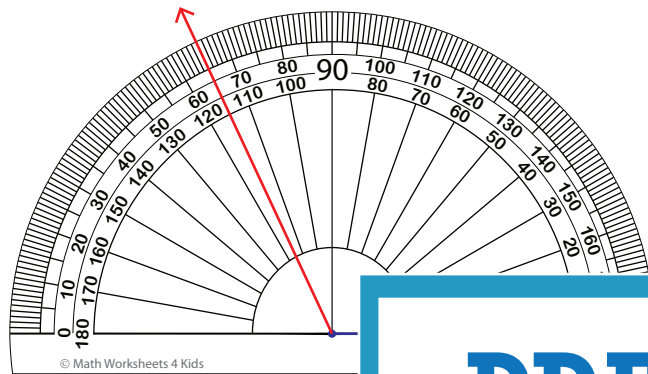
5) 45°



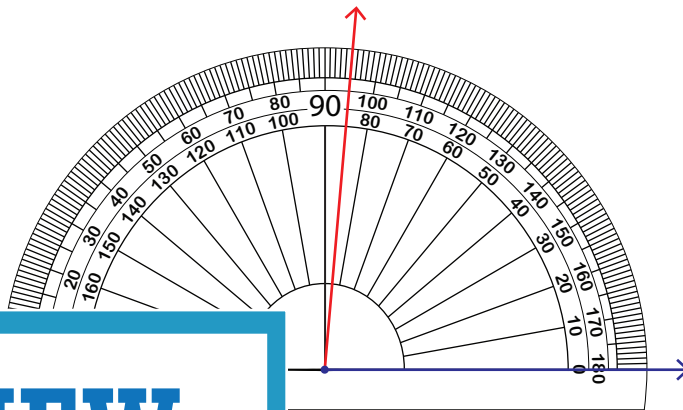
# Drawing Angles - 5° Increments

Draw each angle using a protractor.

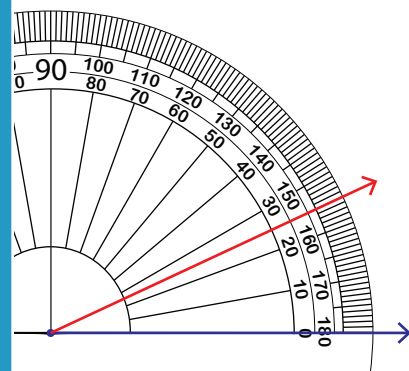
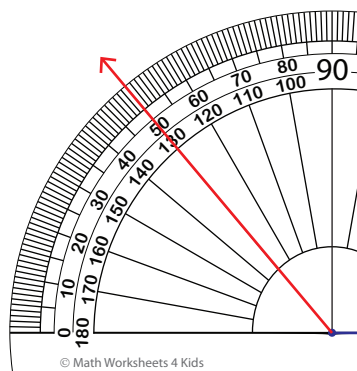
1) 115°



2) 85°



3) 130°



**PREVIEW**

Gain complete access to the largest collection of worksheets in all subjects!

Members, please log in to download this worksheet.

Not a member? Please sign up to gain complete access.

[www.mathworksheets4kids.com](http://www.mathworksheets4kids.com)

5) 45°

