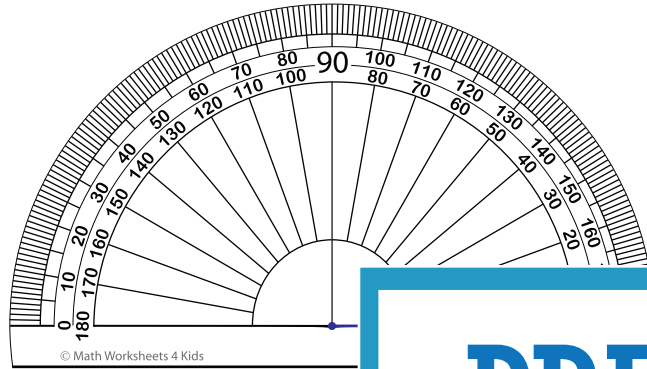


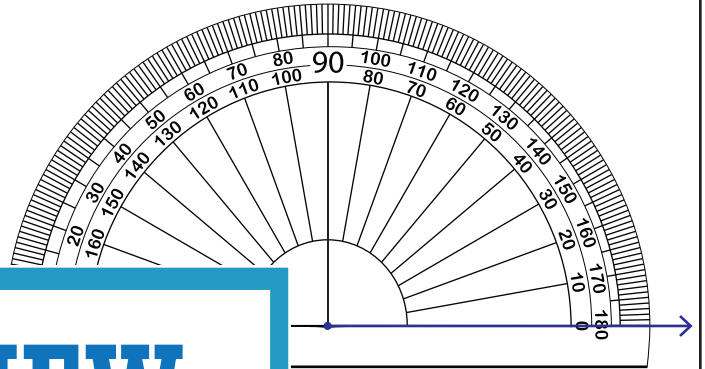
Drawing Angles - 5° Increments

Draw each angle using a protractor.

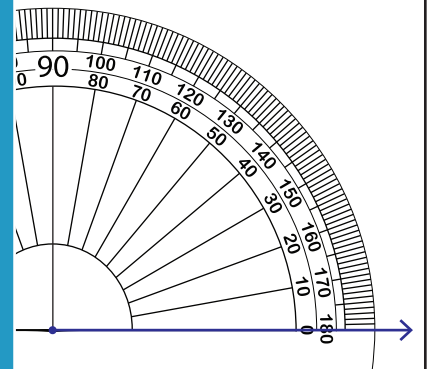
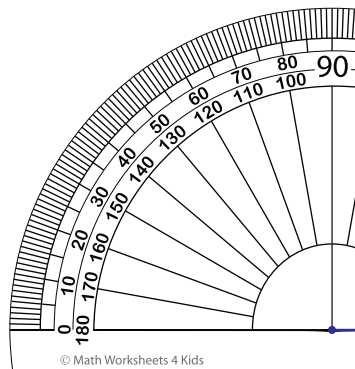
1) 80°



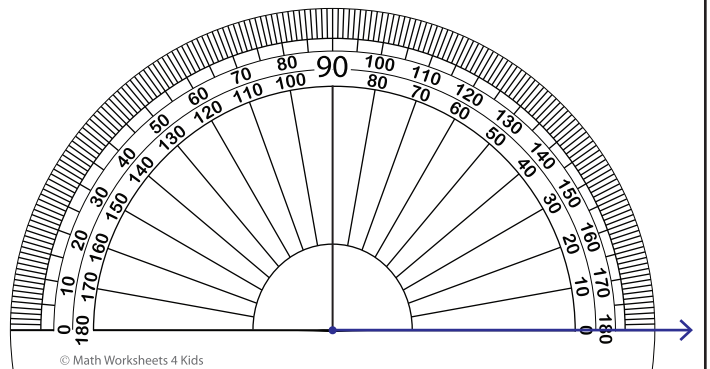
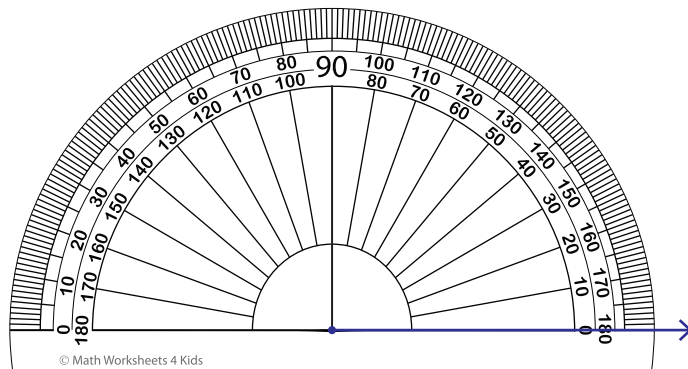
2) 120°



3) 75°



5) 150°



PREVIEW

Gain complete access to the largest collection of worksheets in all subjects!

Members, please log in to download this worksheet.

Not a member? Please sign up to gain complete access.

www.mathworksheets4kids.com