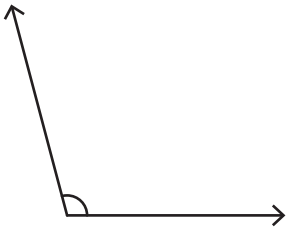


# Measuring & Classifying Angles


Measure and classify each angle using a protractor.

Example:



Angle: 105°  
Type: Obtuse

1)



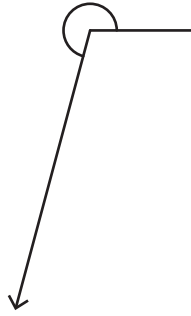
Angle: \_\_\_\_\_  
Type: \_\_\_\_\_

2)



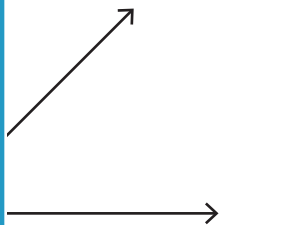
Angle: \_\_\_\_\_  
Type: \_\_\_\_\_

3)



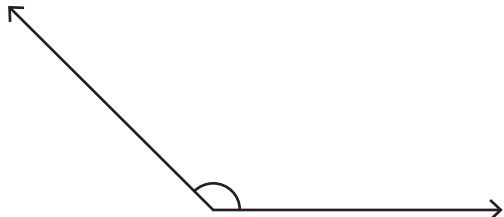
Angle: \_\_\_\_\_  
Type: \_\_\_\_\_

4)



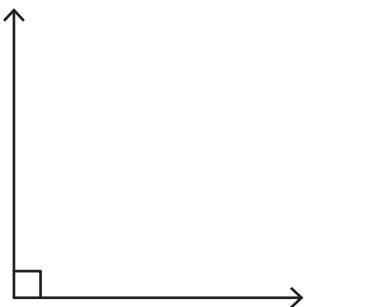
Angle: \_\_\_\_\_  
Type: \_\_\_\_\_

5)



Angle: \_\_\_\_\_  
Type: \_\_\_\_\_

6)



Angle: \_\_\_\_\_  
Type: \_\_\_\_\_

**PREVIEW**

Gain complete access to the largest collection of worksheets in all subjects!

Members, please log in to download this worksheet.

Not a member? Please sign up to gain complete access.

[www.mathworksheets4kids.com](http://www.mathworksheets4kids.com)