

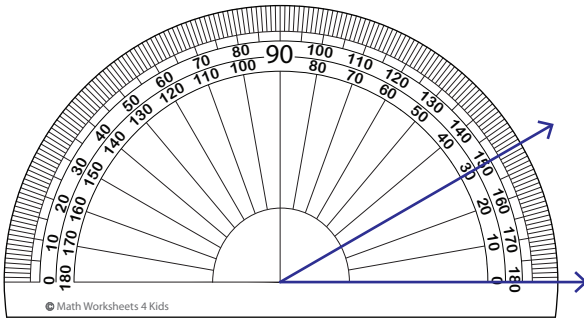
Name : _____

Reading a Protractor

Inner scale: S2

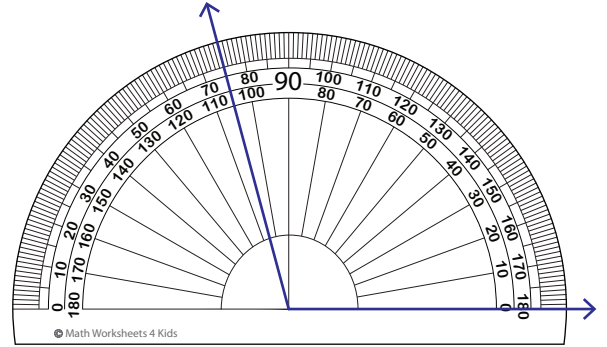
Read the protractor and measure each angle.

1)



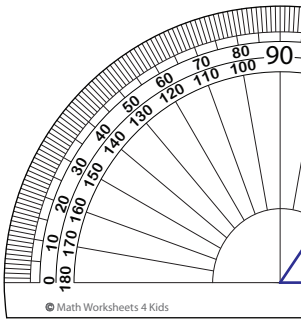
Angle: _____

2)

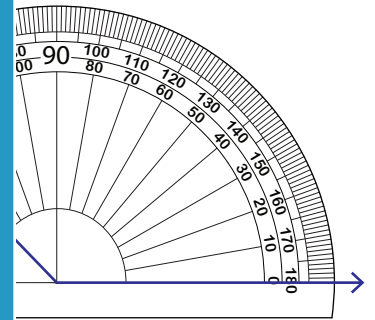


Angle: _____

3)

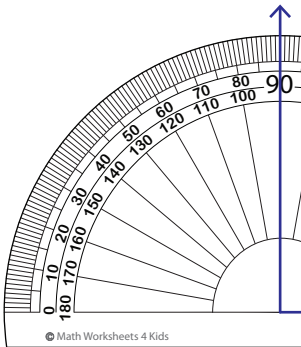


Angle: _____

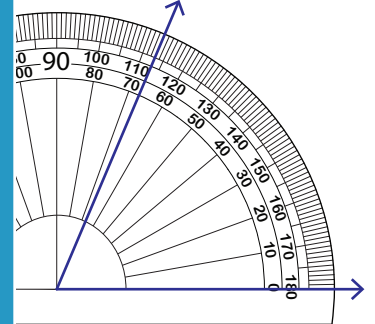


Angle: _____

5)



Angle: _____



Angle: _____

PREVIEW

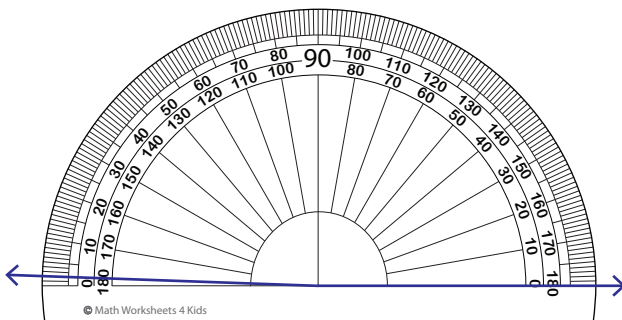
Gain complete access to the largest collection of worksheets in all subjects!

Members, please log in to download this worksheet.

Not a member? Please sign up to gain complete access.

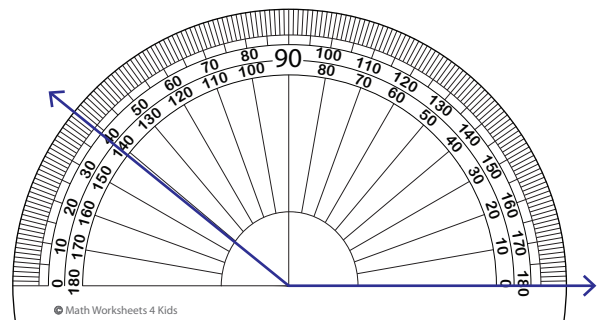
www.mathworksheets4kids.com

7)



Angle: _____

8)



Angle: _____

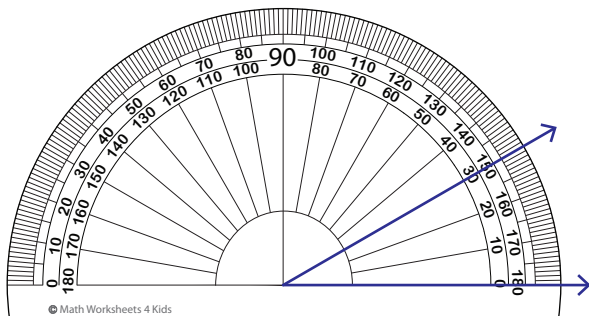
Name : _____

Reading a Protractor

Inner scale: S2

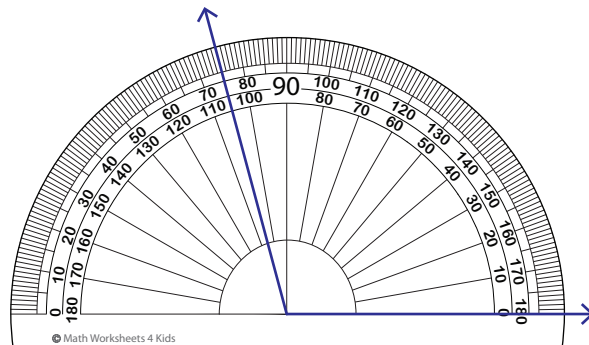
Read the protractor and measure each angle.

1)



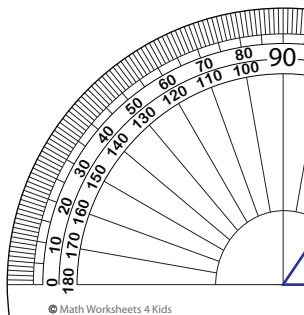
Angle: 30°

2)

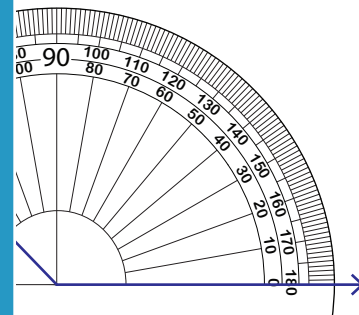


Angle: 105°

3)

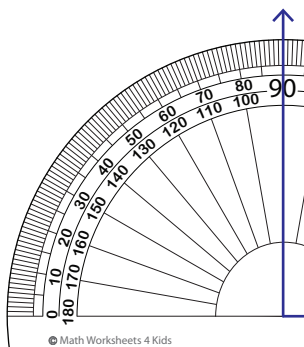


Angle: _____

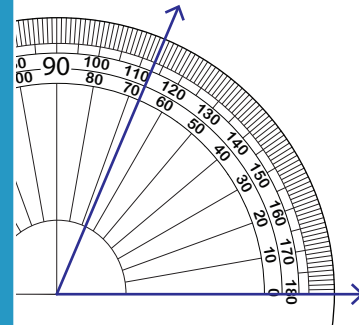


134°

5)

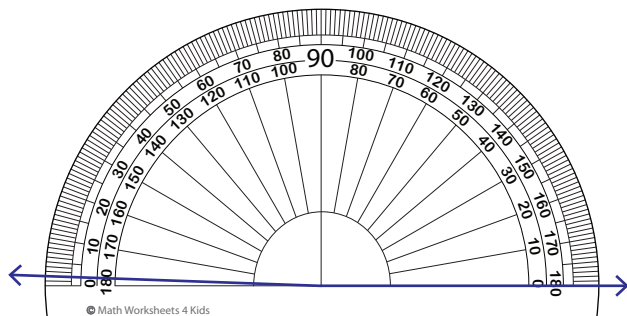


Angle: _____



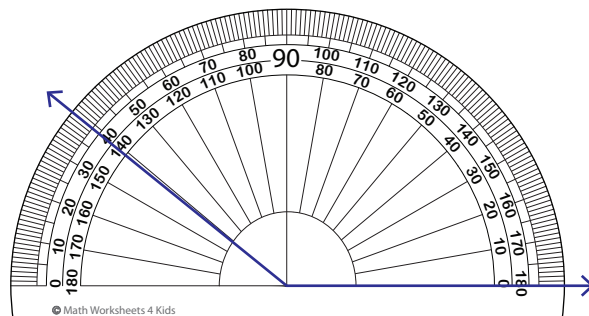
67°

7)



Angle: 178°

8)



Angle: 141°

PREVIEW

Gain complete access to the largest collection of worksheets in all subjects!

Members, please log in to download this worksheet.

Not a member? Please sign up to gain complete access.

www.mathworksheets4kids.com