

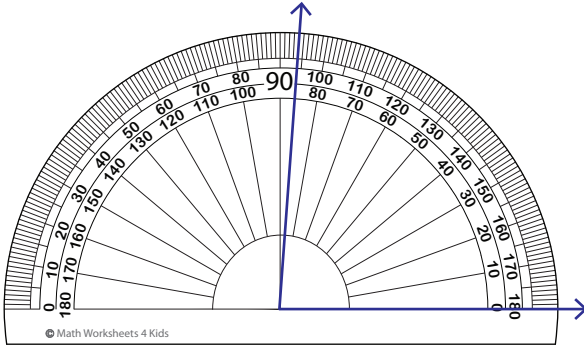
Name : \_\_\_\_\_

# Reading a Protractor

Inner scale: S3

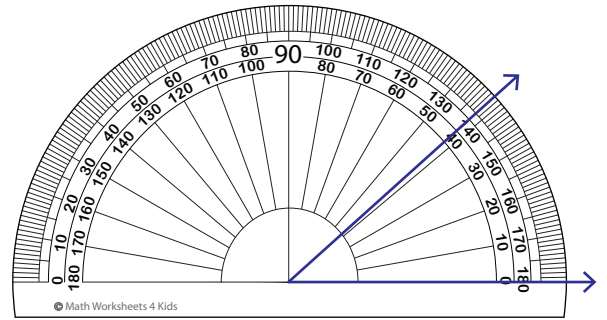
Read the protractor and measure each angle.

1)



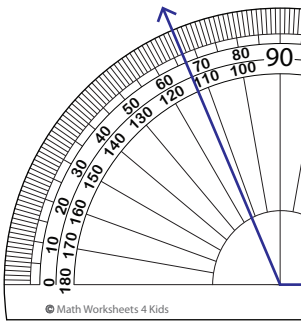
Angle: \_\_\_\_\_

2)

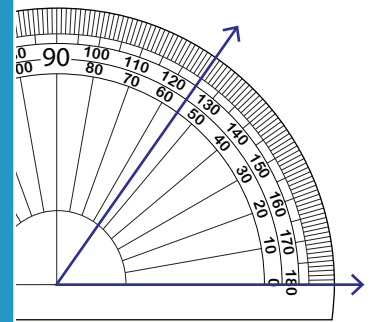


Angle: \_\_\_\_\_

3)

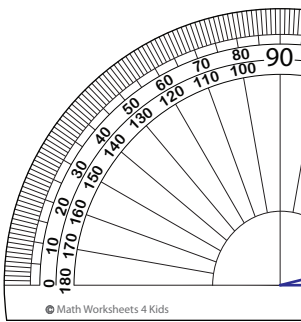


Angle: \_\_\_\_\_

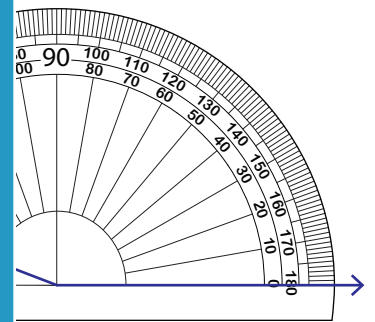


Angle: \_\_\_\_\_

5)

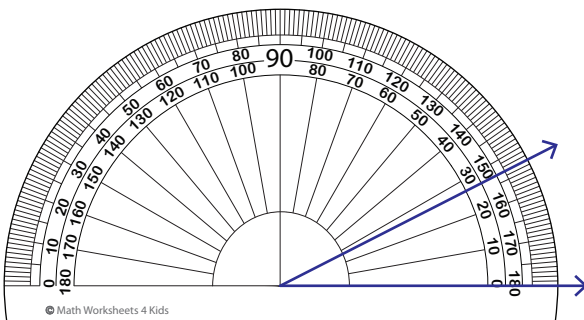


Angle: \_\_\_\_\_



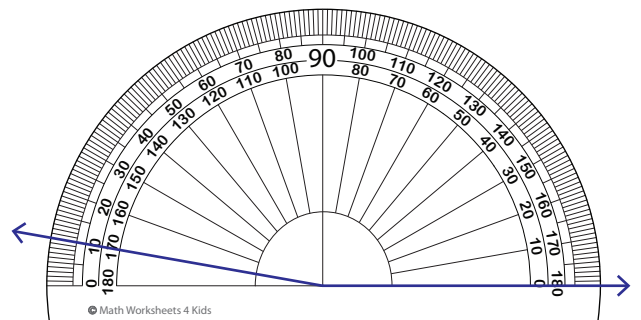
Angle: \_\_\_\_\_

7)



Angle: \_\_\_\_\_

8)



Angle: \_\_\_\_\_

**PREVIEW**

Gain complete access to the largest collection of worksheets in all subjects!

Members, please log in to download this worksheet.

Not a member? Please sign up to gain complete access.

[www.mathworksheets4kids.com](http://www.mathworksheets4kids.com)

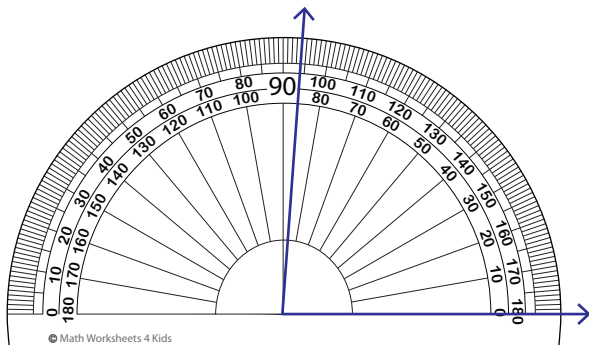
Name : \_\_\_\_\_

# Reading a Protractor

Inner scale: S3

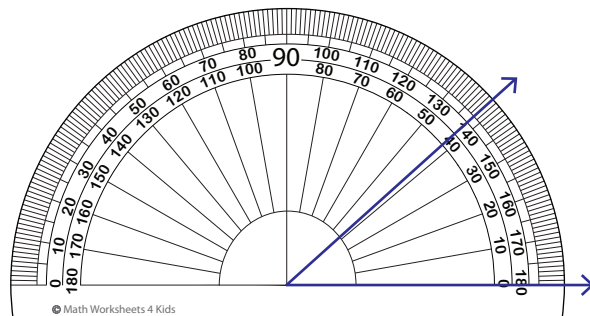
Read the protractor and measure each angle.

1)



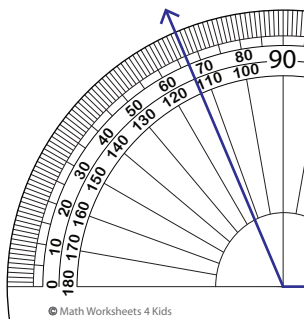
Angle: 86°

2)

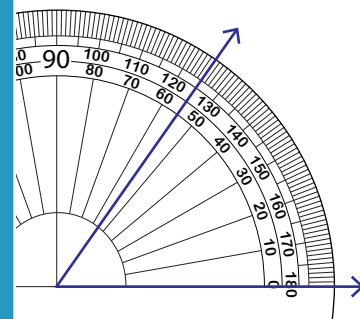


Angle: 42°

3)

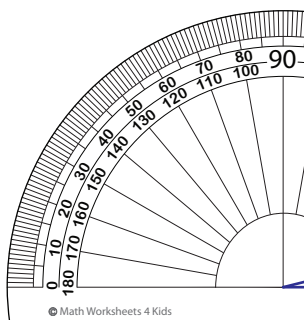


Angle: \_\_\_\_\_

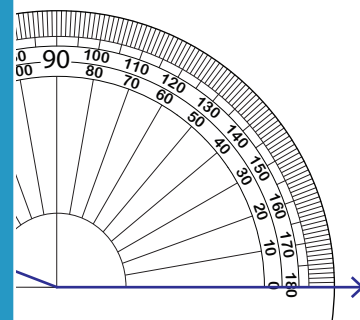


Angle: 55°

5)

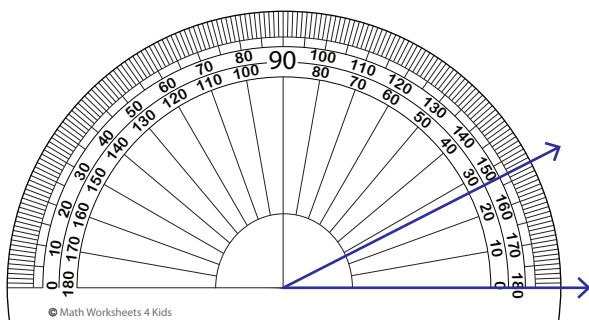


Angle: \_\_\_\_\_



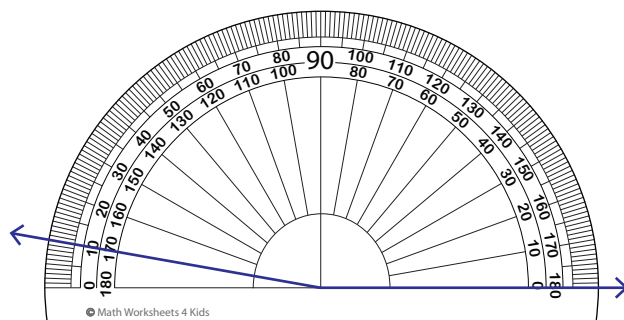
Angle: 159°

7)



Angle: 27°

8)



Angle: 170°

**PREVIEW**

Gain complete access to the largest collection of worksheets in all subjects!

Members, please log in to download this worksheet.

Not a member? Please sign up to gain complete access.

[www.mathworksheets4kids.com](http://www.mathworksheets4kids.com)