

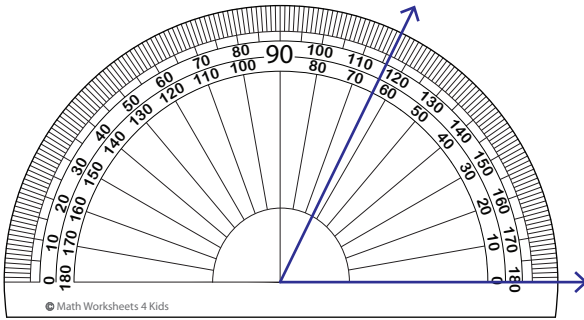
Name : _____

Reading a Protractor

Inner scale: S5

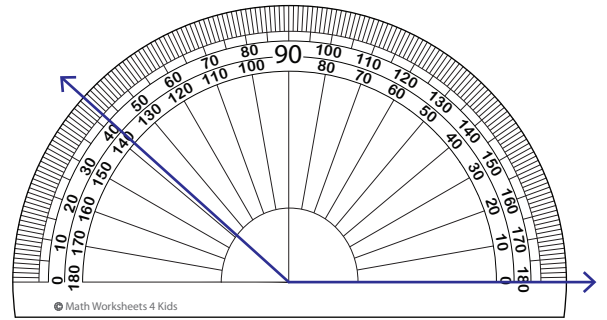
Read the protractor and measure each angle.

1)



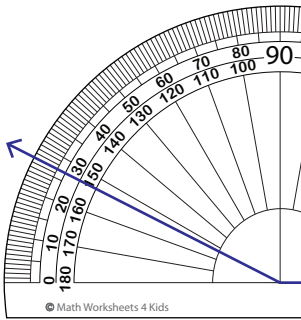
Angle: _____

2)



Angle: _____

3)



Angle: _____

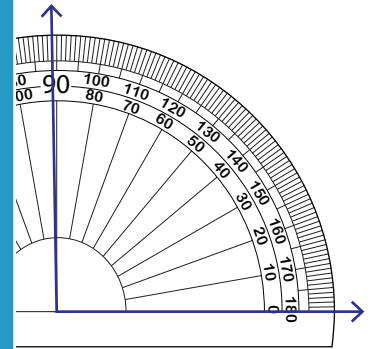
PREVIEW

Gain complete access to the largest collection of worksheets in all subjects!

Members, please log in to download this worksheet.

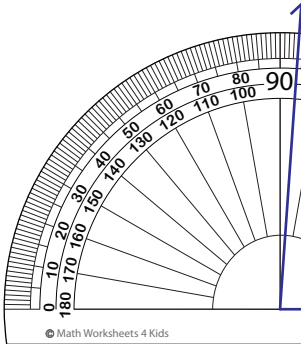
Not a member? Please sign up to gain complete access.

www.mathworksheets4kids.com

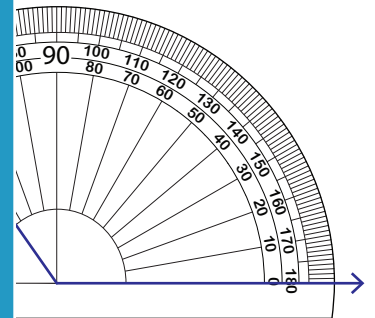


Angle: _____

5)

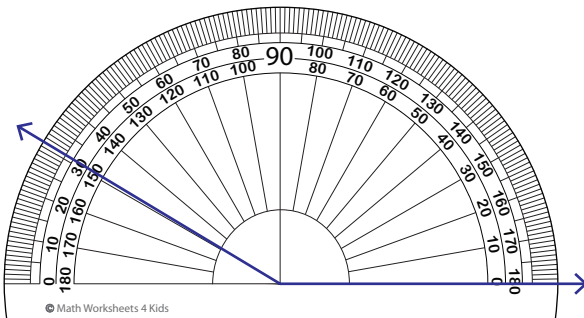


Angle: _____



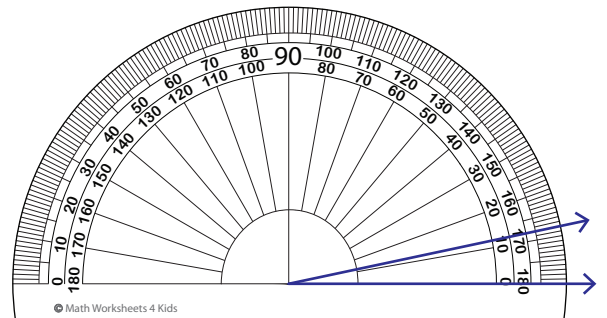
Angle: _____

7)



Angle: _____

8)



Angle: _____

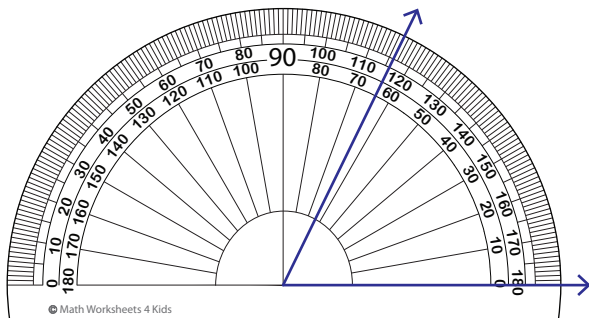
Name : _____

Reading a Protractor

Inner scale: S5

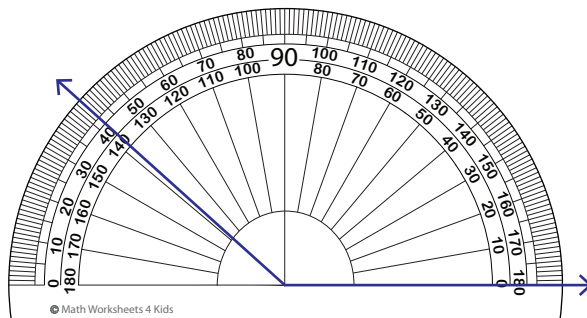
Read the protractor and measure each angle.

1)



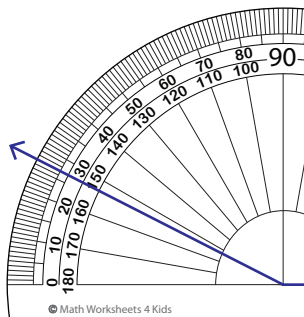
Angle: 64°

2)



Angle: 138°

3)



Angle: _____

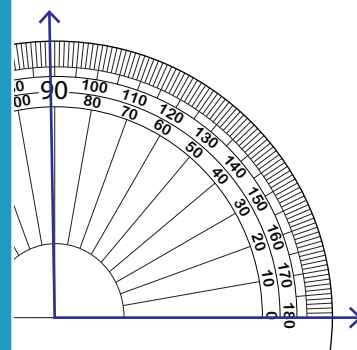
PREVIEW

Gain complete access to the largest collection of worksheets in all subjects!

Members, please log in to download this worksheet.

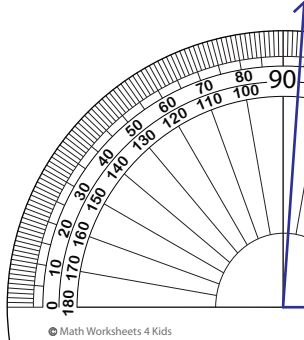
Not a member? Please sign up to gain complete access.

www.mathworksheets4kids.com

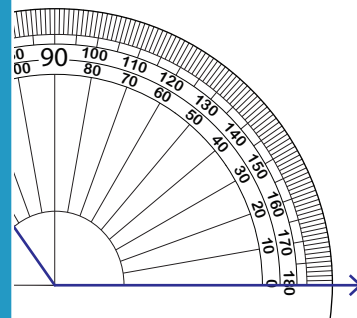


Angle: 91°

5)

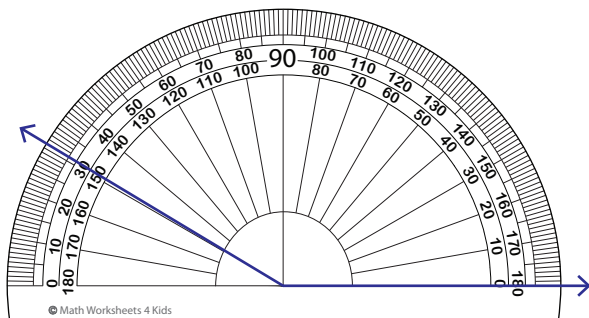


Angle: _____



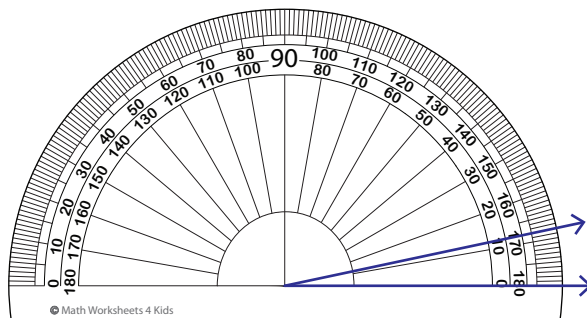
Angle: 125°

7)



Angle: 149°

8)



Angle: 12°