

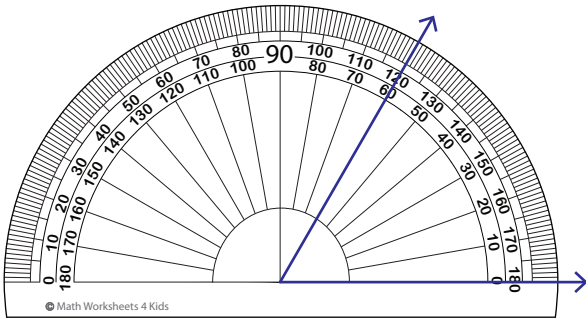
Name : \_\_\_\_\_

Inner scale: S1

# Reading a Protractor - 5° Increments

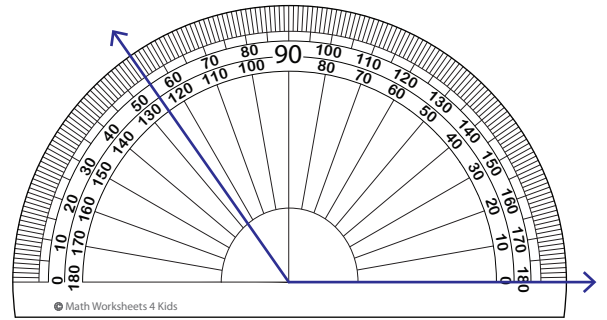
Read the protractor and measure each angle.

1)



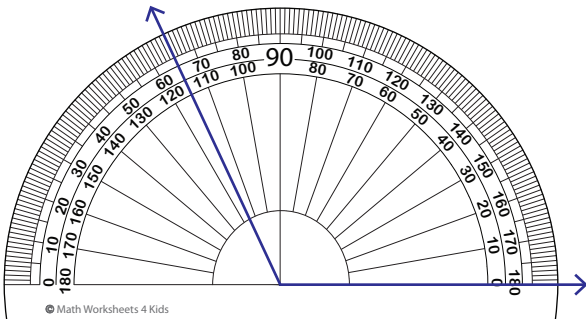
Angle: \_\_\_\_\_

2)



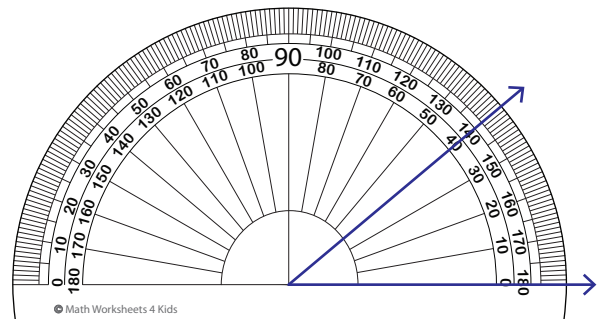
Angle: \_\_\_\_\_

3)



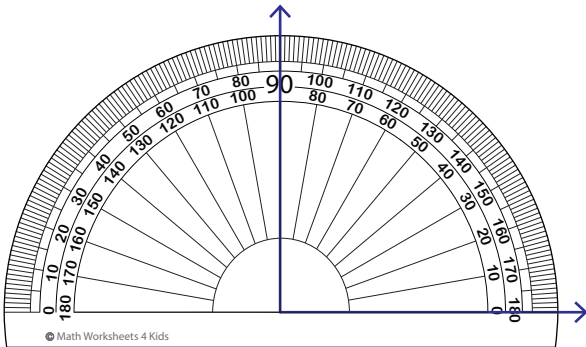
Angle: \_\_\_\_\_

4)



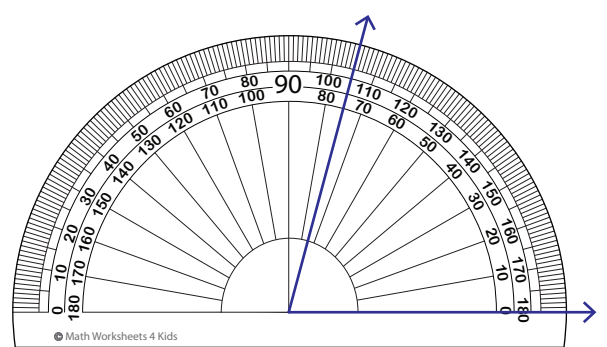
Angle: \_\_\_\_\_

5)



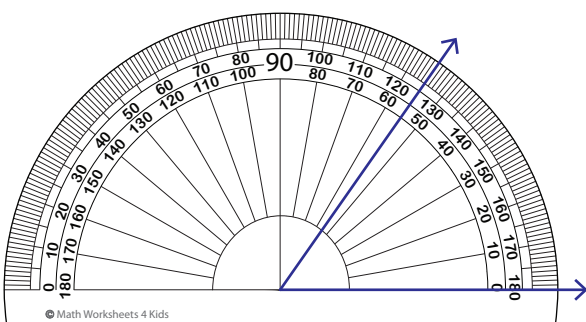
Angle: \_\_\_\_\_

6)



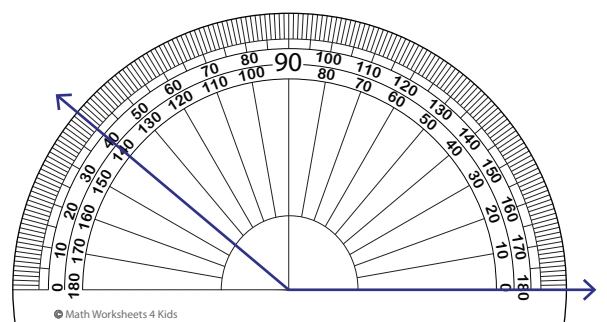
Angle: \_\_\_\_\_

7)



Angle: \_\_\_\_\_

8)



Angle: \_\_\_\_\_

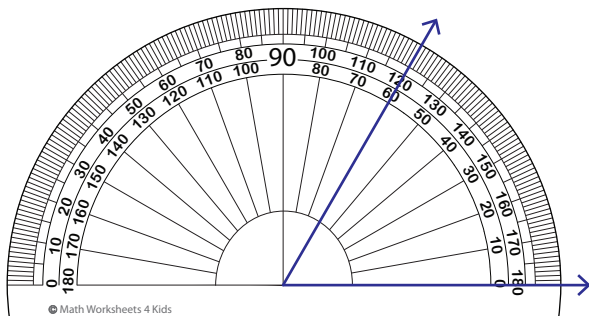
Name : \_\_\_\_\_

# Reading a Protractor - 5° Increments

Inner scale: S1

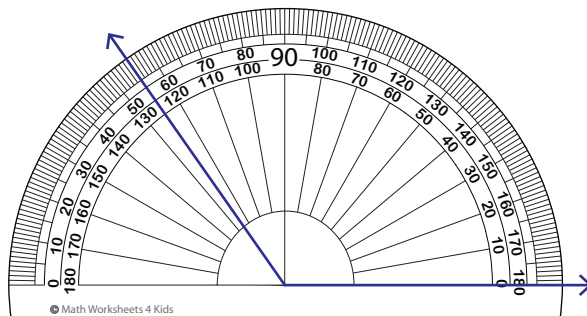
Read the protractor and measure each angle.

1)



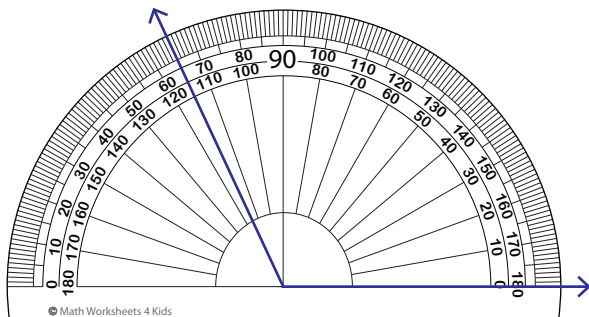
Angle: 60°

2)



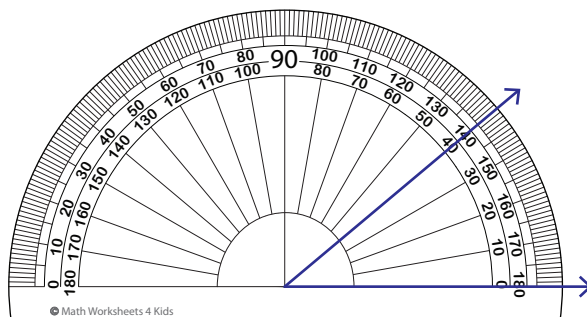
Angle: 125°

3)



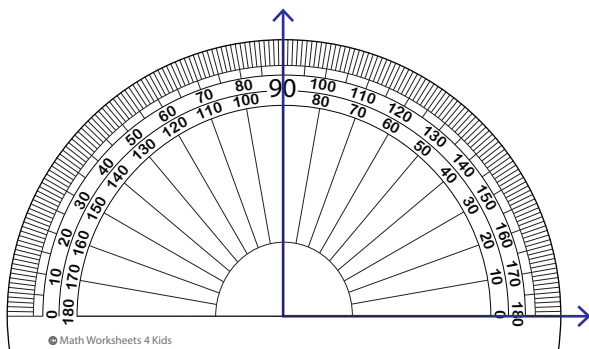
Angle: 115°

4)



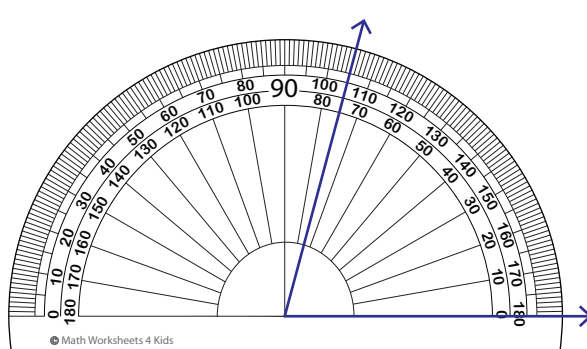
Angle: 40°

5)



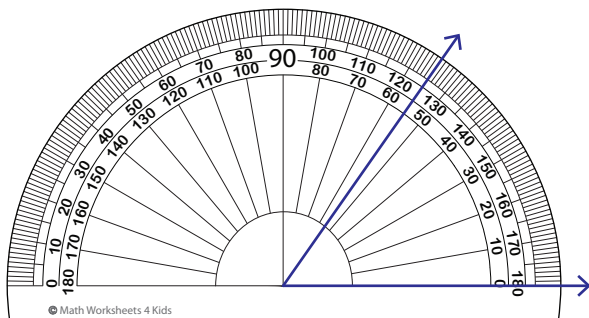
Angle: 90°

6)



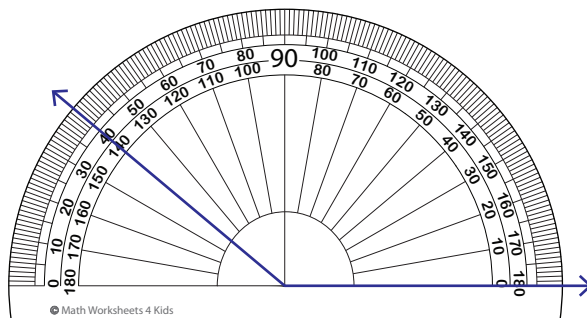
Angle: 75°

7)



Angle: 55°

8)



Angle: 140°