

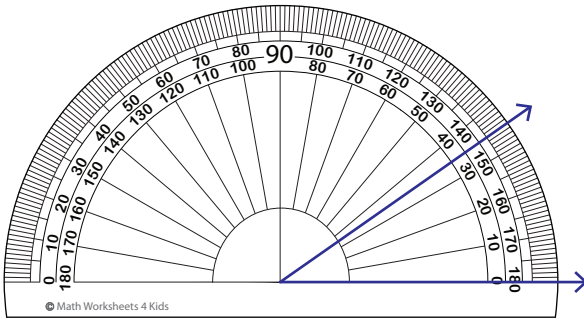
Name : _____

Reading a Protractor - 5° Increments

Inner scale: S3

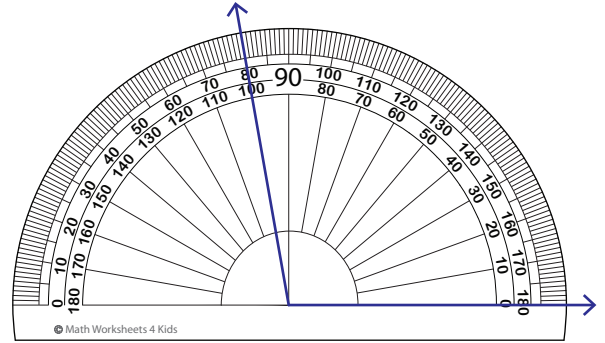
Read the protractor and measure each angle.

1)



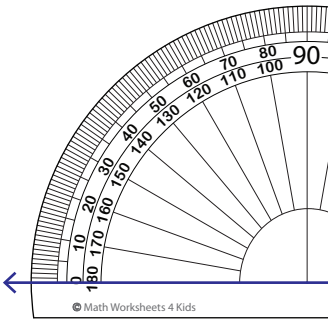
Angle: _____

2)



Angle: _____

3)



Angle: _____

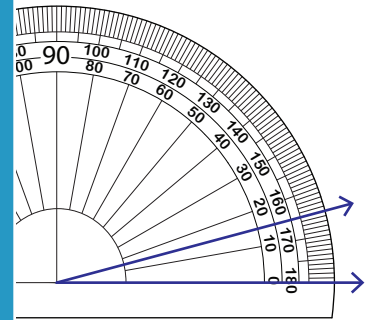
PREVIEW

Gain complete access to the largest collection of worksheets in all subjects!

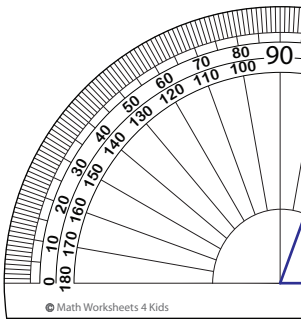
Members, please log in to download this worksheet.

Not a member? Please sign up to gain complete access.

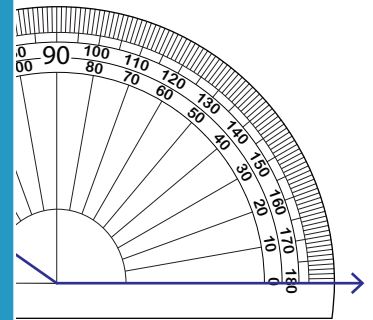
www.mathworksheets4kids.com



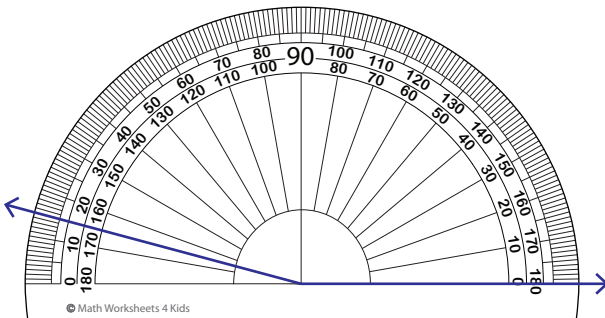
5)



Angle: _____

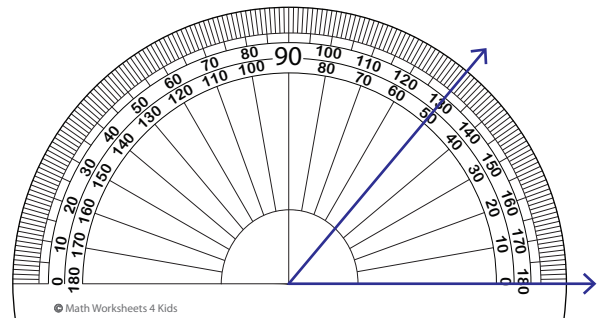


7)



Angle: _____

8)



Angle: _____

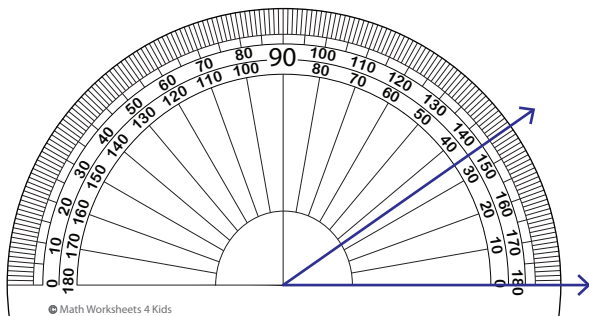
Name : _____

Reading a Protractor - 5° Increments

Inner scale: S3

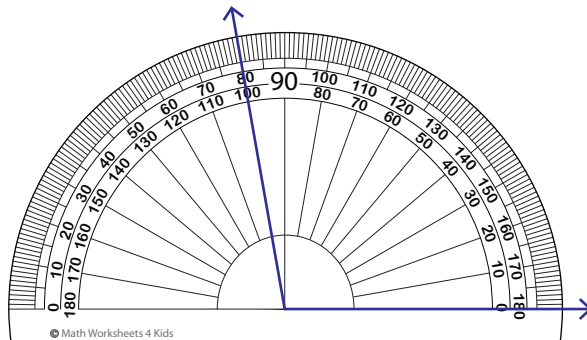
Read the protractor and measure each angle.

1)



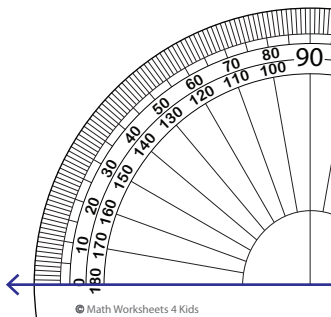
Angle: 35°

2)



Angle: 100°

3)



Angle: _____

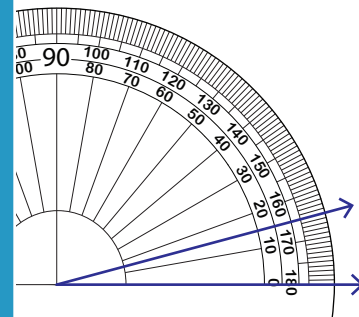
PREVIEW

Gain complete access to the largest collection of worksheets in all subjects!

Members, please log in to download this worksheet.

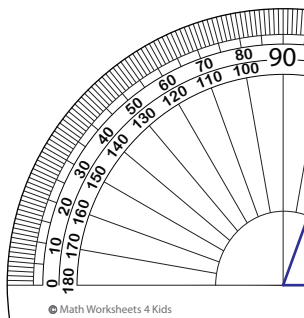
Not a member? Please sign up to gain complete access.

www.mathworksheets4kids.com

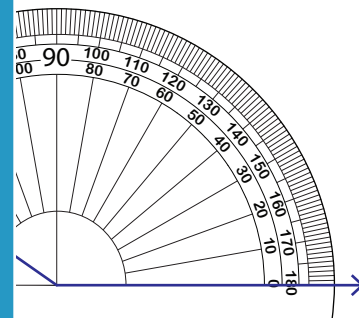


Angle: 15°

5)

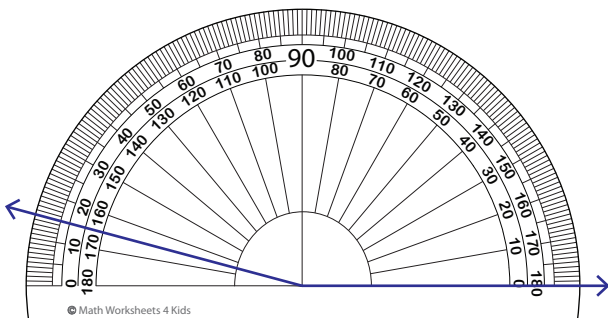


Angle: _____



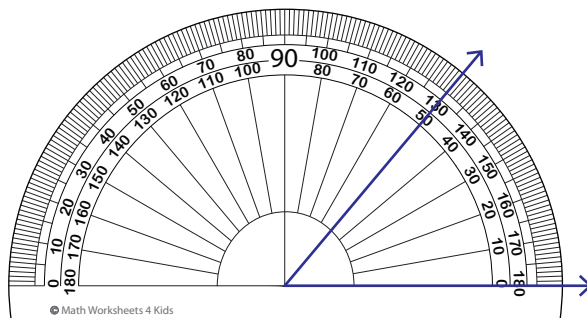
Angle: 145°

7)



Angle: 165°

8)



Angle: 50°