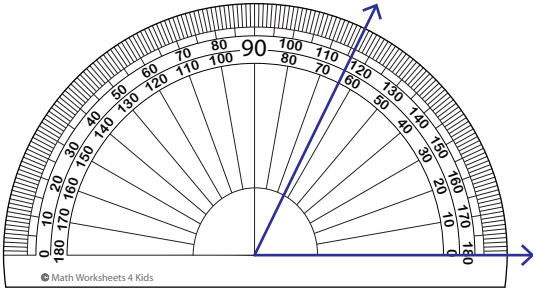


Reading a Protractor - Match

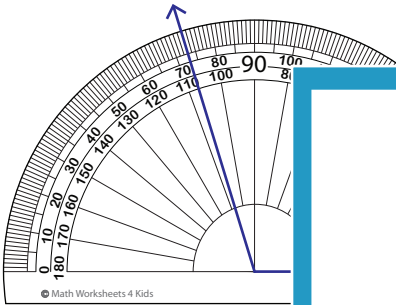
Read the protractor and match the angle to its corresponding measures.

1)



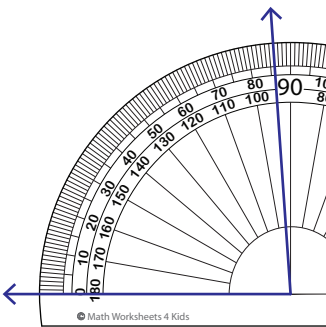
86°

2)



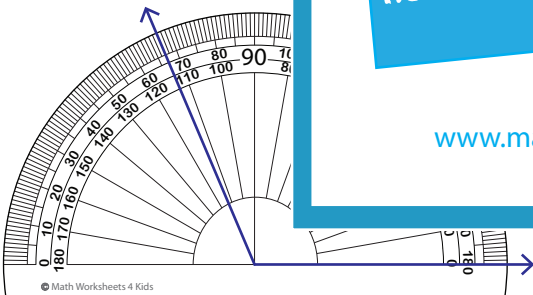
64°

3)



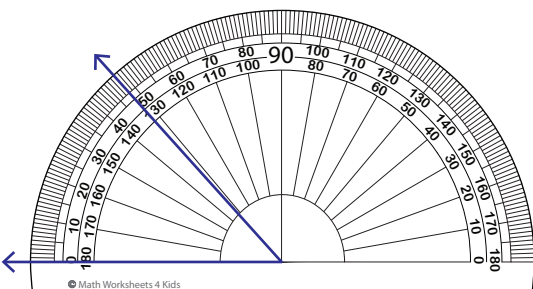
107°

4)



48°

5)



113°

PREVIEW

Gain complete access to the largest collection of worksheets in all subjects!

Members, please log in to download this worksheet.

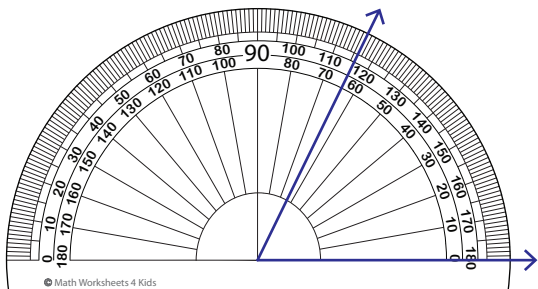
Not a member? Please sign up to gain complete access.

www.mathworksheets4kids.com

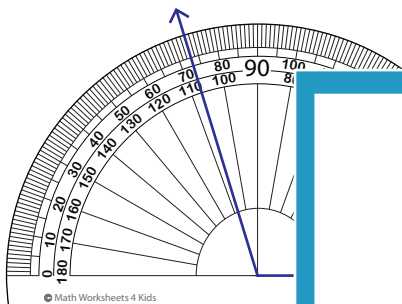
Reading a Protractor - Match

Read the protractor and match the angle to its corresponding measures.

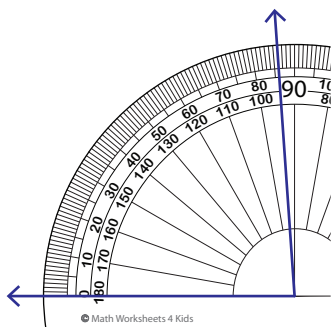
1)



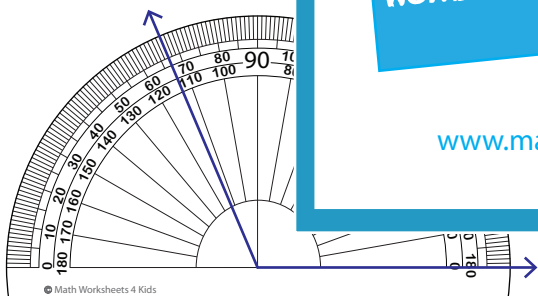
2)



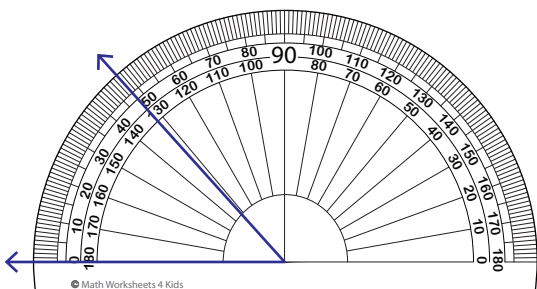
3)



4)



5)



86°

64°

107°

48°

113°

PREVIEW

Gain complete access to the largest collection of worksheets in all subjects!

Members, please log in to download this worksheet.

Not a member? Please sign up to gain complete access.

www.mathworksheets4kids.com