

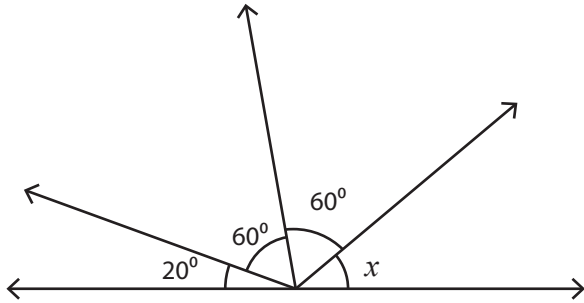
Name : _____

Angles on a Straight Line

ES1

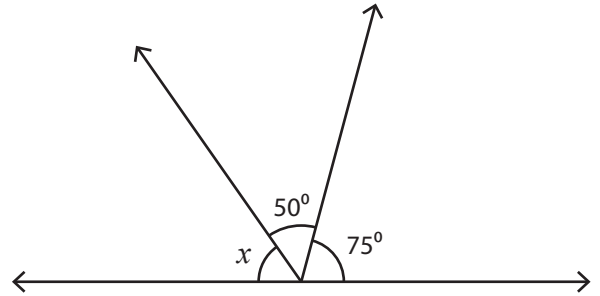
Find the size of each missing angle.

1)



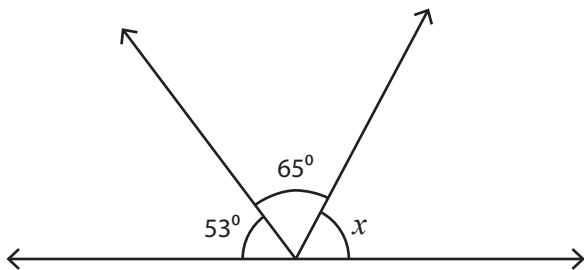
$x =$ _____

2)



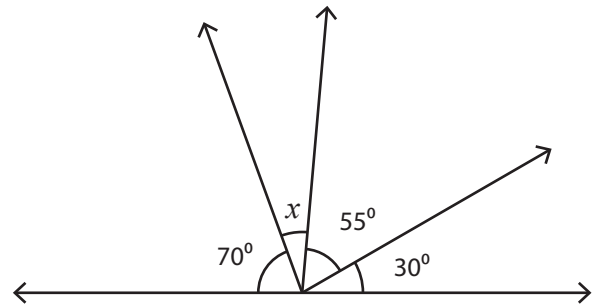
$x =$ _____

3)



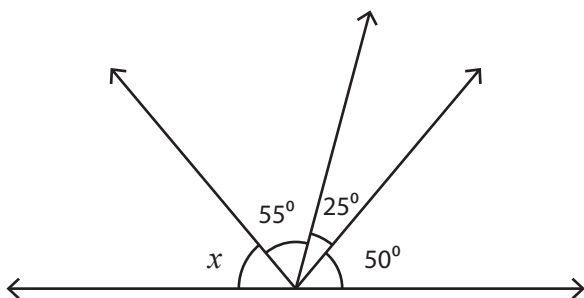
$x =$ _____

4)



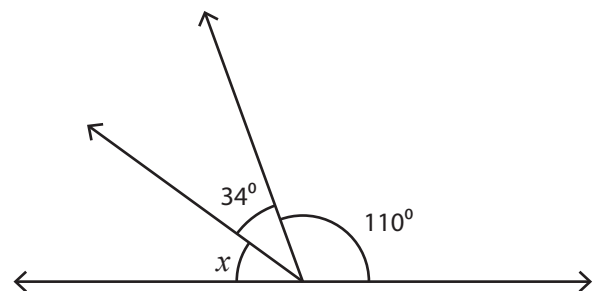
$x =$ _____

5)



$x =$ _____

6)



$x =$ _____

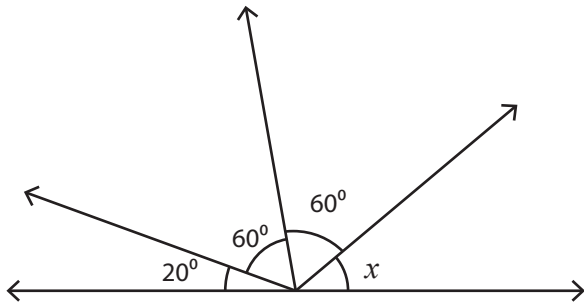
Name : _____

Angles on a Straight Line

ES1

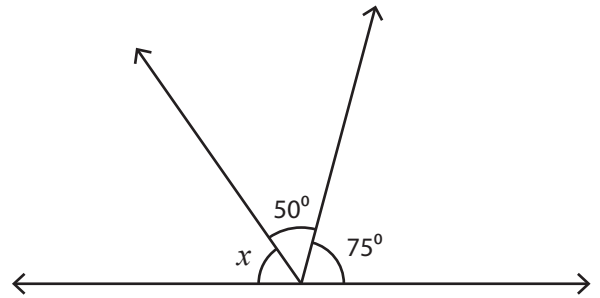
Find the size of each missing angle.

1)



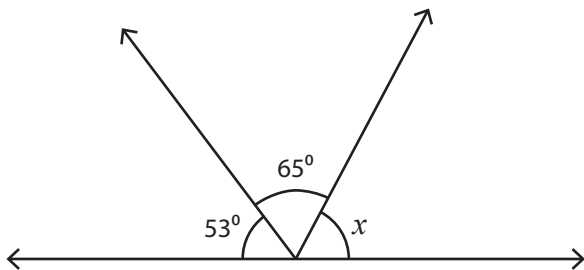
$$x = \underline{40^\circ}$$

2)



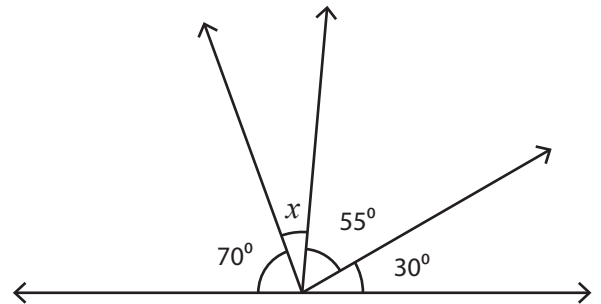
$$x = \underline{55^\circ}$$

3)



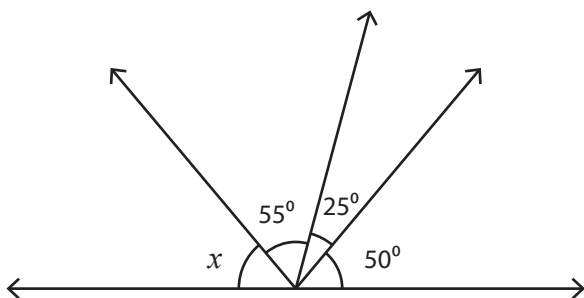
$$x = \underline{62^\circ}$$

4)



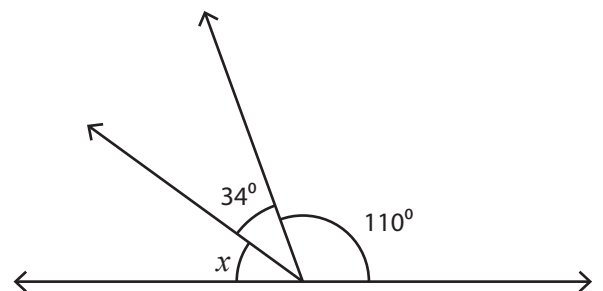
$$x = \underline{25^\circ}$$

5)



$$x = \underline{50^\circ}$$

6)



$$x = \underline{36^\circ}$$