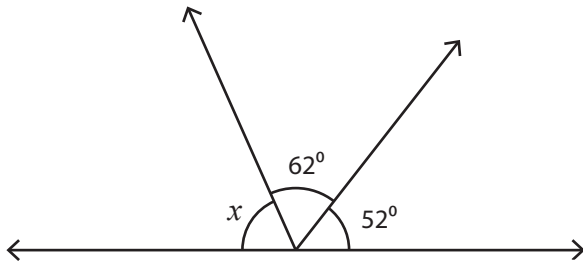


Name : _____

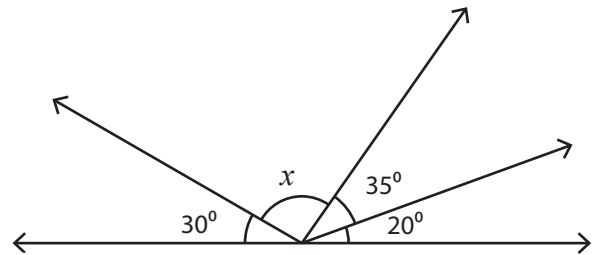
Angles on a Straight Line

Find the size of each missing angle.

1)

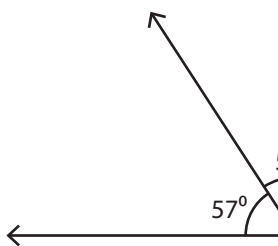


2)



$x =$ _____

3)



$x =$ _____

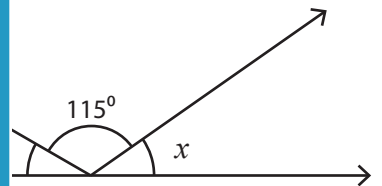
PREVIEW

Gain complete access to the largest collection of worksheets in all subjects!

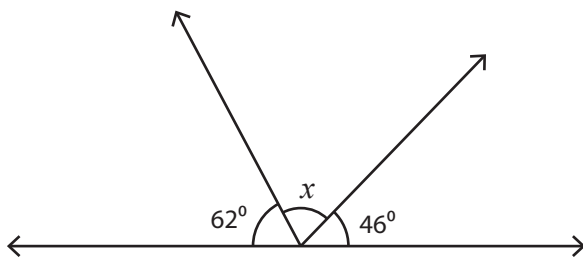
Members, please log in to download this worksheet.

Not a member? Please sign up to gain complete access.

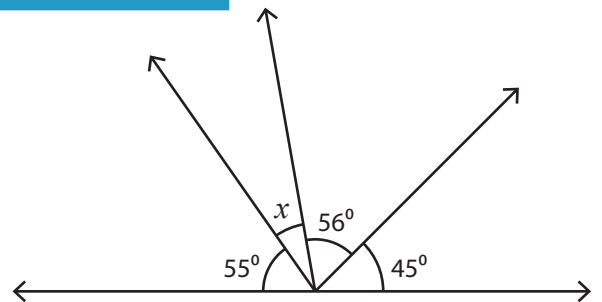
www.mathworksheets4kids.com



5)



$x =$ _____



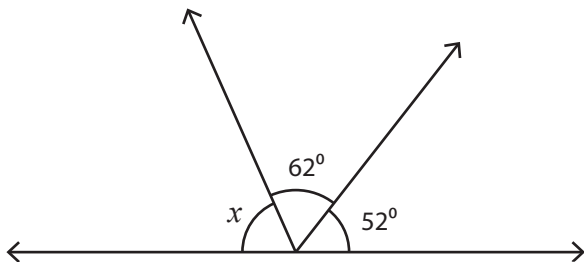
$x =$ _____

Name : _____

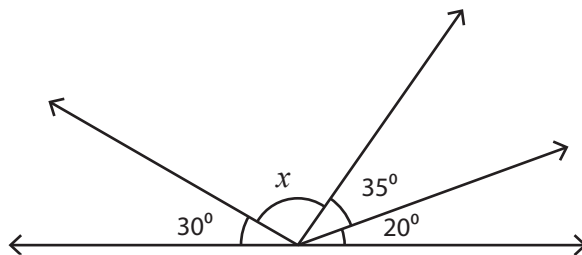
Angles on a Straight Line

Find the size of each missing angle.

1)



2)

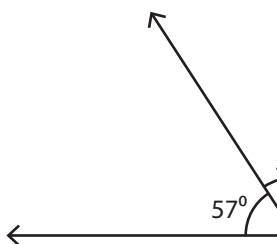


$x =$ _____

PREVIEW

95°

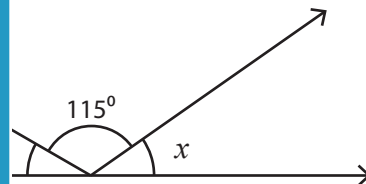
3)



Gain complete access to the largest collection of worksheets in all subjects!

Members, please log in to download this worksheet.

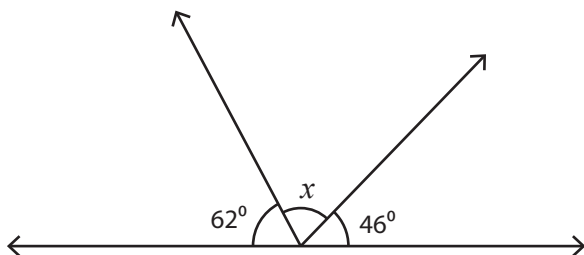
Not a member? Please sign up to gain complete access.



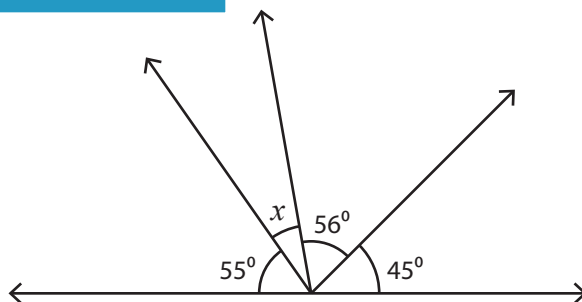
$x =$ _____

35°

5)



$x =$ **72°**



$x =$ **24°**