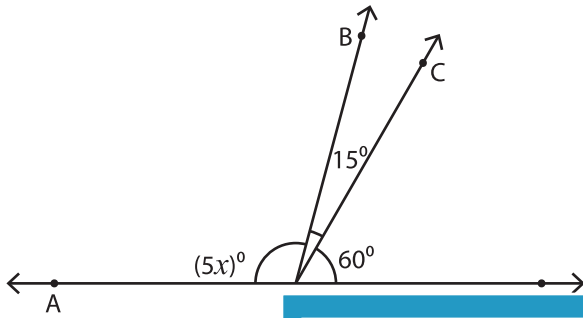


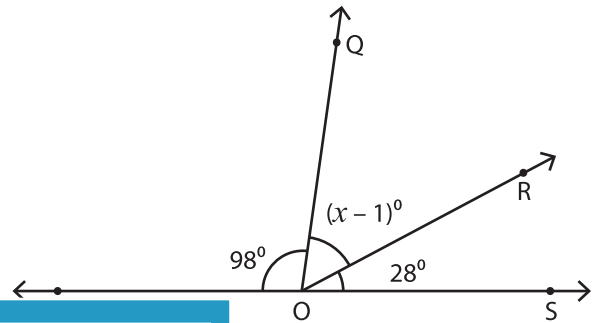
Angles on a Straight Line

Find the value of x .

1)

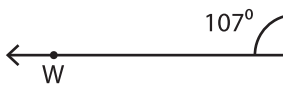


2)

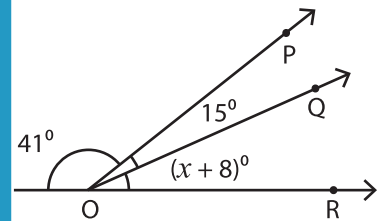


$x =$ _____

3)

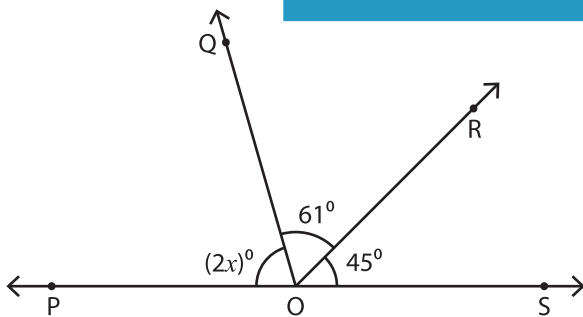


$x =$ _____

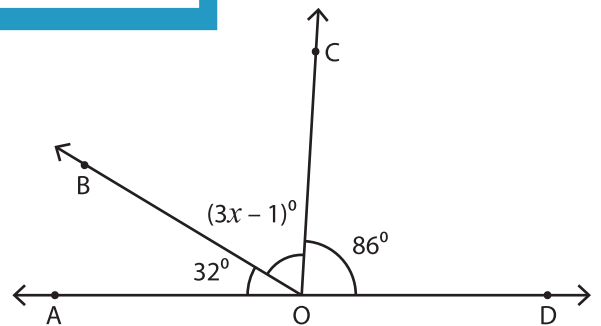


$x =$ _____

5)



$x =$ _____



$x =$ _____

PREVIEW

Gain complete access to the largest collection of worksheets in all subjects!

Members, please log in to download this worksheet.

Not a member? Please sign up to gain complete access.

www.mathworksheets4kids.com