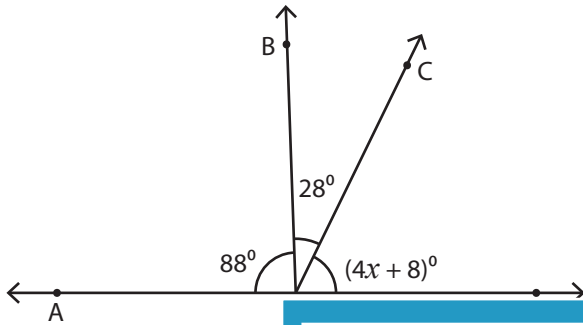


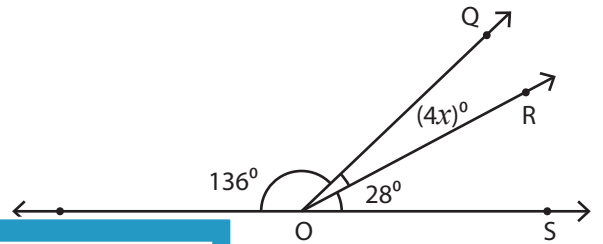
Angles on a Straight Line

Find the value of x .

1)

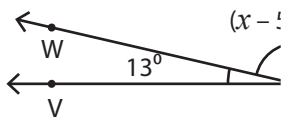


2)



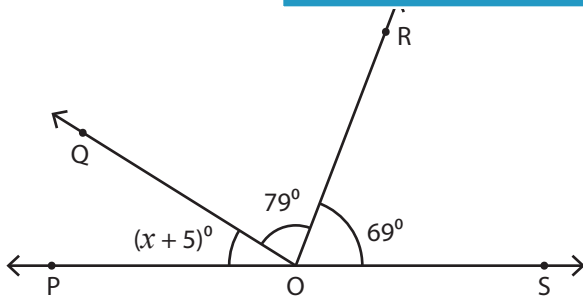
$x =$ _____

3)

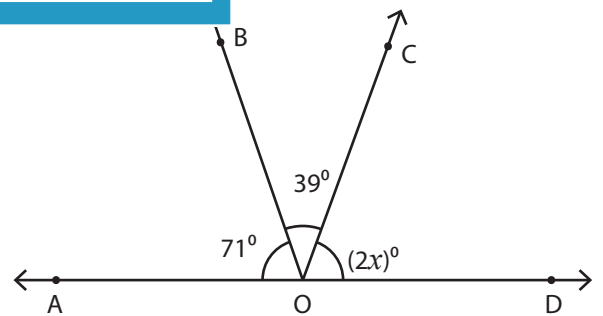


$x =$ _____

5)



$x =$ _____



$x =$ _____

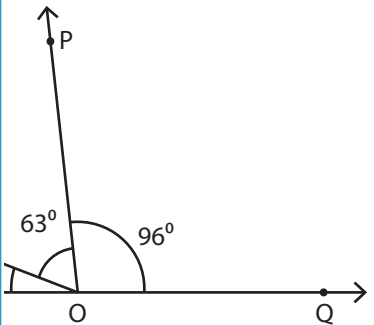
PREVIEW

Gain complete access to the largest collection of worksheets in all subjects!

Members, please log in to download this worksheet.

Not a member? Please sign up to gain complete access.

www.mathworksheets4kids.com

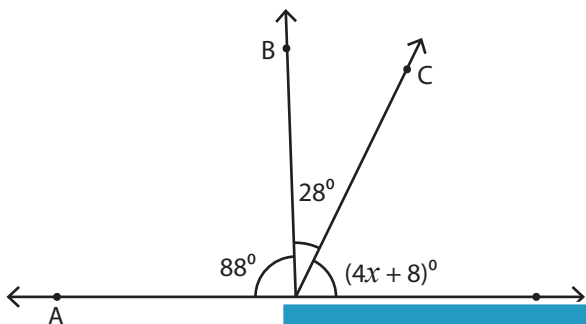


Name : _____

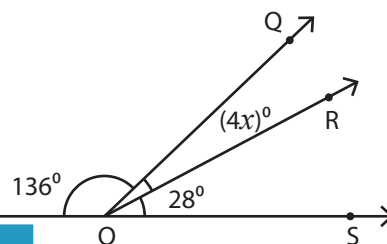
Angles on a Straight Line

Find the value of x .

1)



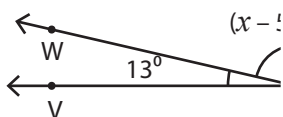
2)



$x =$ _____

4

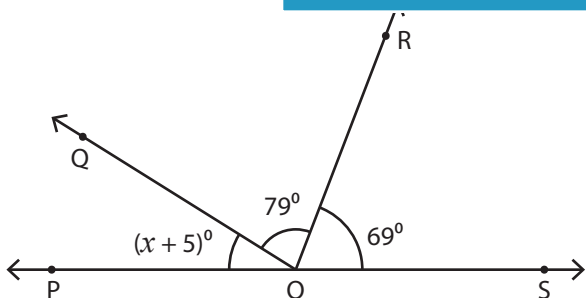
3)



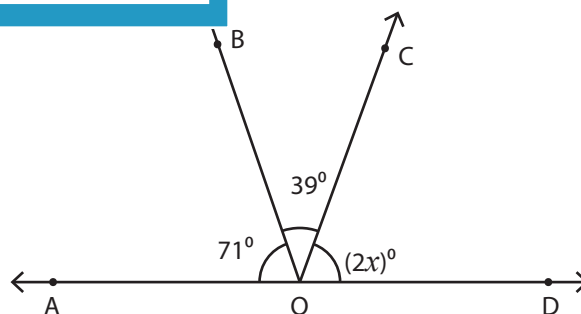
$x =$ _____

11

5)



$x =$ **27**



$x =$ **35**

PREVIEW

Gain complete access to the largest collection of worksheets in all subjects!

Members, please log in to download this worksheet.

Not a member? Please sign up to gain complete access.

www.mathworksheets4kids.com