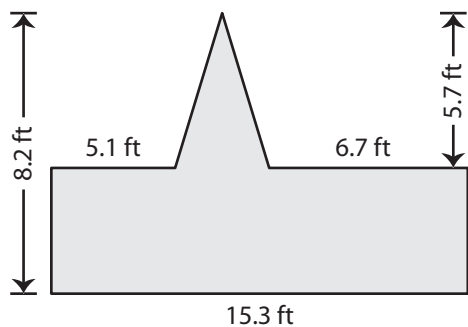


Name : _____

Area - Compound Shapes

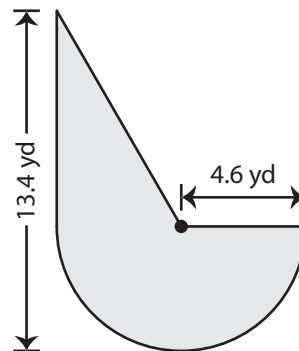
Find the area of each figure. Round your answer to 2 decimal places if required.
(Use $\pi = 3.14$)

1)



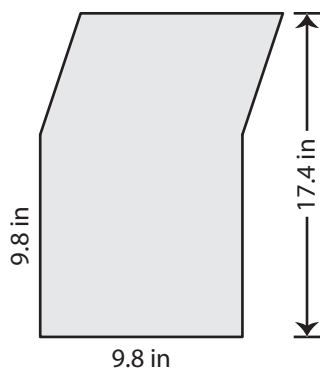
Area = _____

2)



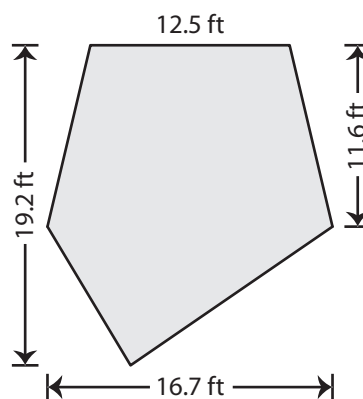
Area = _____

3)



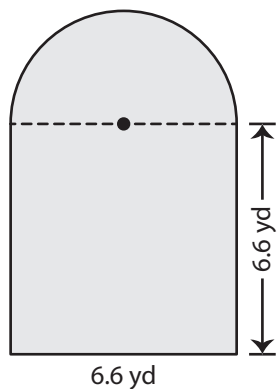
Area = _____

4)



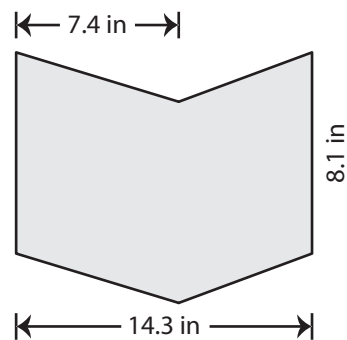
Area = _____

5)



Area = _____

6)



Area = _____

Name : _____

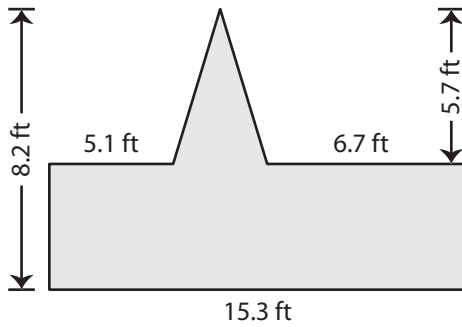
Answer key

Area - Compound Shapes

L1S1

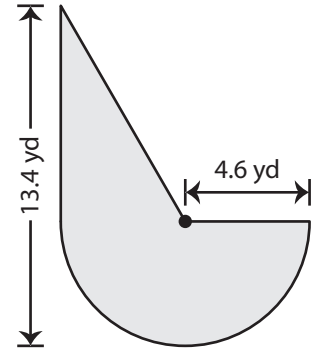
Find the area of each figure. Round your answer to 2 decimal places if required.
(Use $\pi = 3.14$)

1)



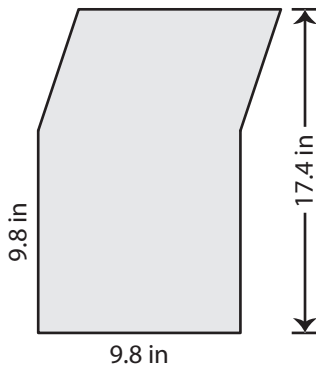
Area = 48.23 ft²

2)



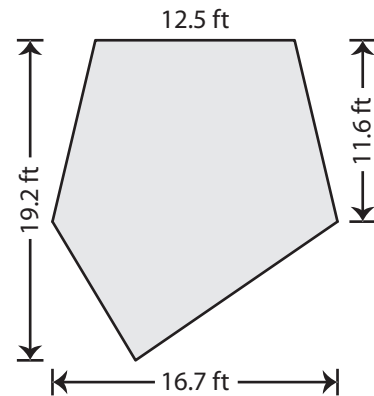
Area = 53.46 yd²

3)



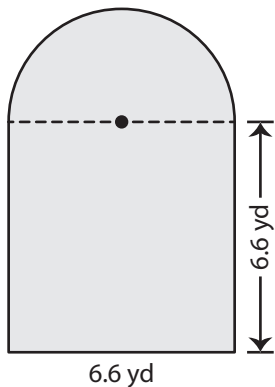
Area = 170.52 in²

4)



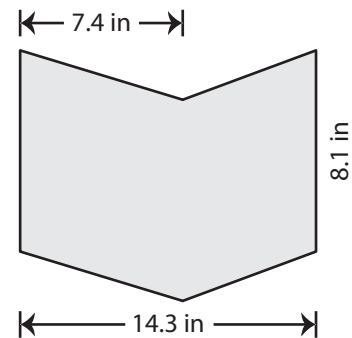
Area = 232.82 ft²

5)



Area = 60.66 yd²

6)



Area = 115.83 in²