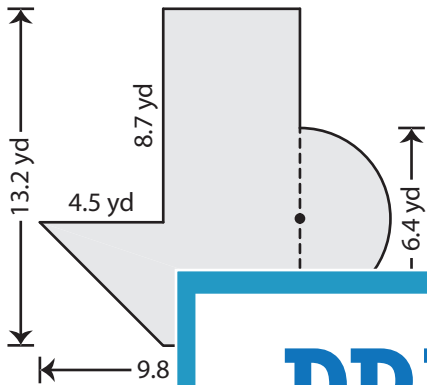


Name : _____

Area - Compound Shapes

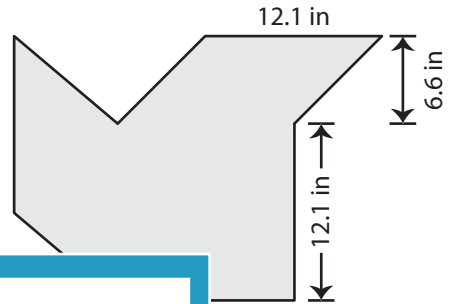
Find the area of each figure. Round your answer to 2 decimal places if required.
(Use $\pi = 3.14$)

1)



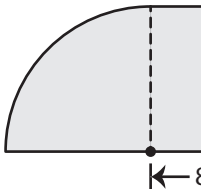
Area = _____

2)



Area = _____

3)



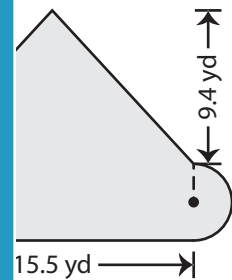
Area = _____

Gain complete access to the largest collection of worksheets in all subjects!

Members, please log in to download this worksheet.

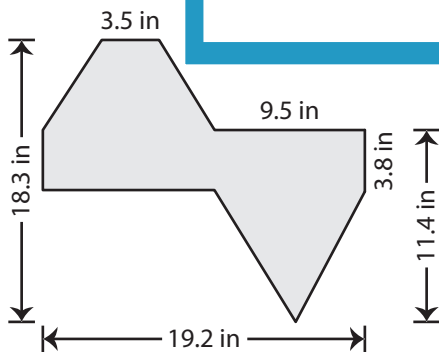
Not a member? Please sign up to gain complete access.

www.mathworksheets4kids.com

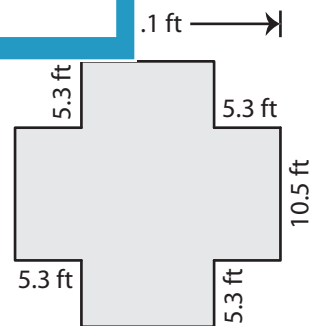


Area = _____

5)



Area = _____



Area = _____

Name : _____

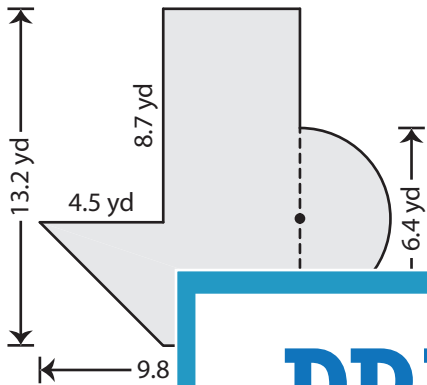
Answer key

L2S1

Area - Compound Shapes

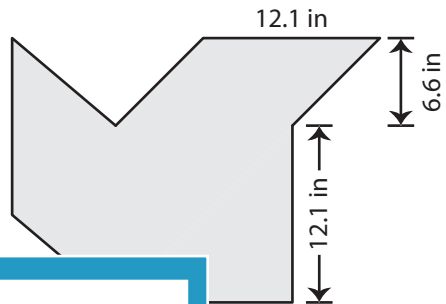
Find the area of each figure. Round your answer to 2 decimal places if required.
(Use $\pi = 3.14$)

1)



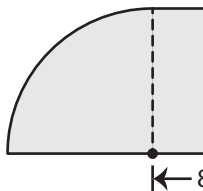
Area = _____

2)

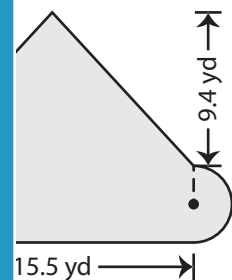


Area = 313.39 in²

3)

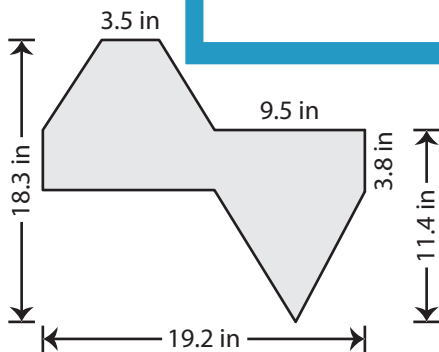


Area = _____

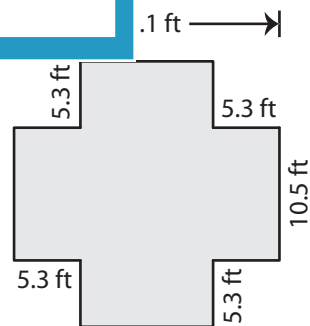


Area = 34.62 yd²

5)



Area = 154.6 in²



Area = 332.85 ft²

PREVIEW

Gain complete access to the largest collection of worksheets in all subjects!

Members, please log in to download this worksheet.

Not a member? Please sign up to gain complete access.

www.mathworksheets4kids.com