

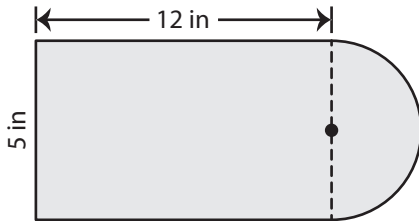
Name : _____

Area - Compound Shapes

L1S1

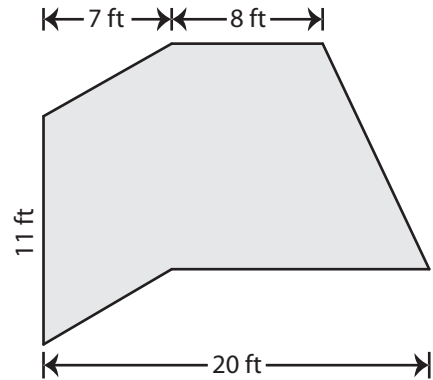
Find the area of each figure. Round your answer to 2 decimal places if required.
(Use $\pi = 3.14$)

1)



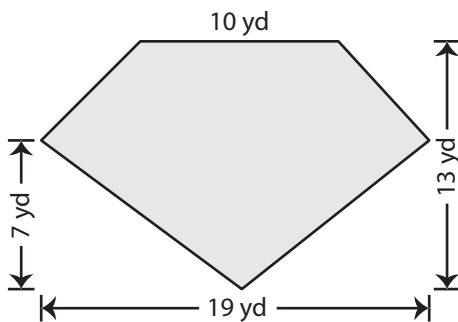
Area = _____

2)



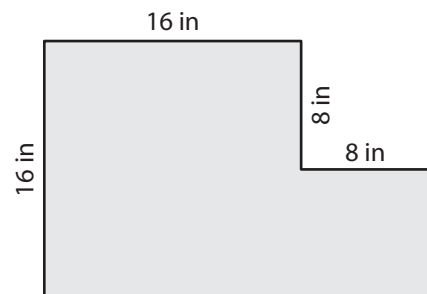
Area = _____

3)



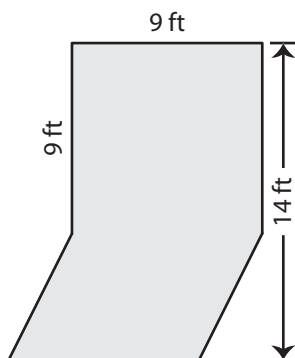
Area = _____

4)



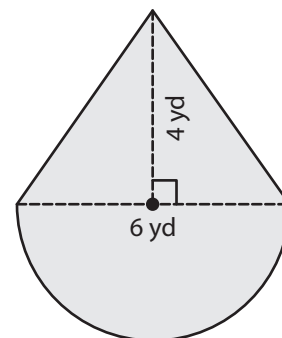
Area = _____

5)



Area = _____

6)



Area = _____

Name : _____

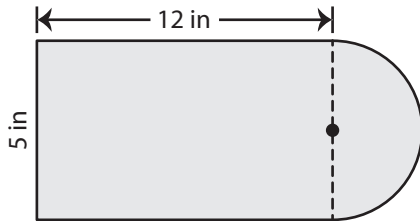
Answer key

L1S1

Area - Compound Shapes

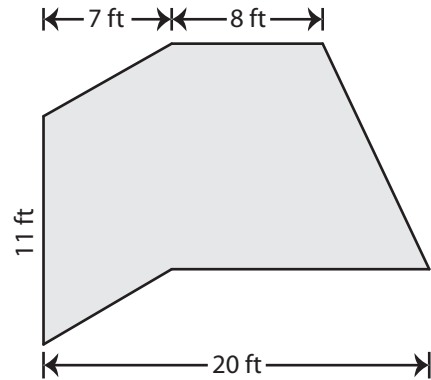
Find the area of each figure. Round your answer to 2 decimal places if required.
(Use $\pi = 3.14$)

1)



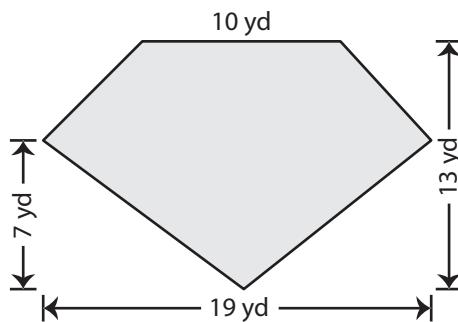
Area = **69.81 in²**

2)



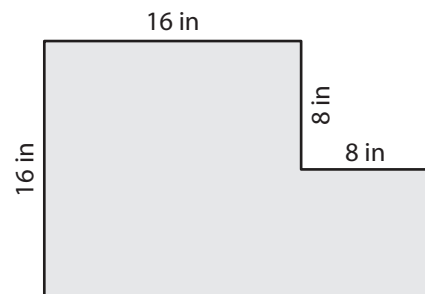
Area = **192.5 ft²**

3)



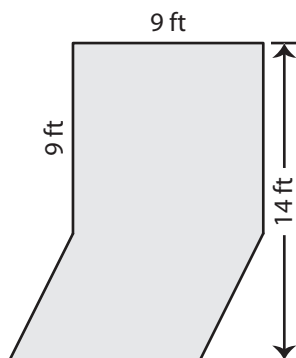
Area = **153.5 yd²**

4)



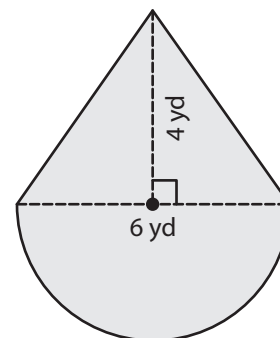
Area = **320 in²**

5)



Area = **126 ft²**

6)



Area = **26.13 yd²**