

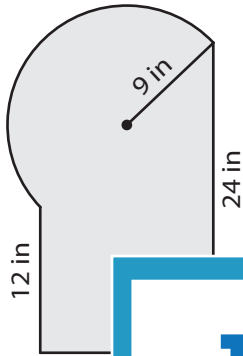
Name : _____

Area - Compound Shapes

Mixed: L1S1

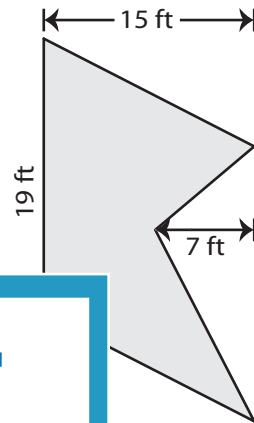
Find the area of the shaded region in each figure. Round your answer to 2 decimal places if required. (Use $\pi = 3.14$)

1)



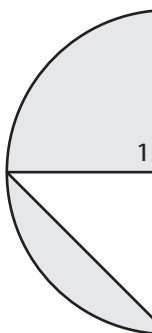
Area = _____

2)

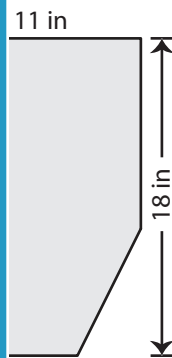


Area = _____

3)

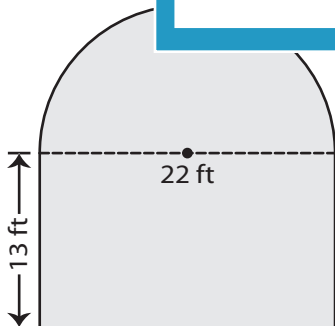


Area = _____

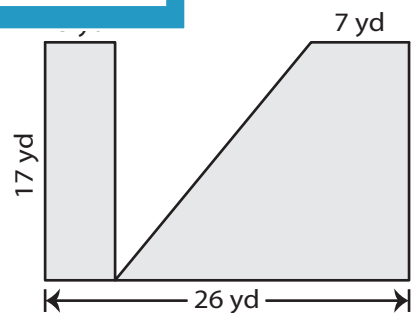


Area = _____

5)



Area = _____



Area = _____

PREVIEW

Gain complete access to the largest collection of worksheets in all subjects!

Members, please log in to download this worksheet.

Not a member? Please sign up to gain complete access.

www.mathworksheets4kids.com

Name : _____

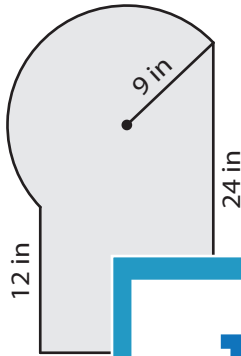
Answer key

Mixed: L1S1

Area - Compound Shapes

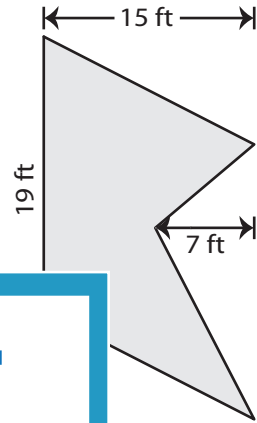
Find the area of the shaded region in each figure. Round your answer to 2 decimal places if required. (Use $\pi = 3.14$)

1)



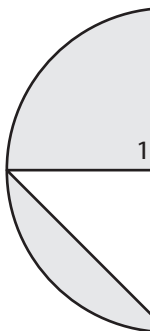
Area = _____

2)



218.5 ft²

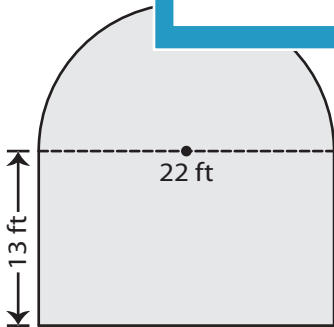
3)



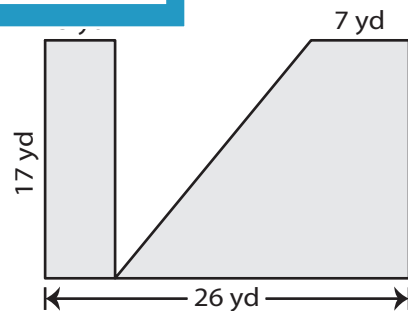
Area = _____

198 in²

5)



Area = **475.97 ft²**



Area = **323 yd²**

PREVIEW

Gain complete access to the largest collection of worksheets in all subjects!

Members, please log in to download this worksheet.

Not a member? Please sign up to gain complete access.

www.mathworksheets4kids.com