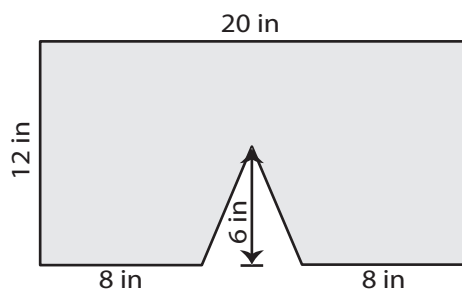


Name : _____

Area - Compound Shapes

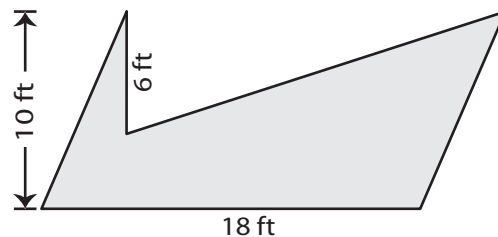
Find the area of the shaded region in each figure. Round your answer to 2 decimal places if required. (Use $\pi = 3.14$)

1)



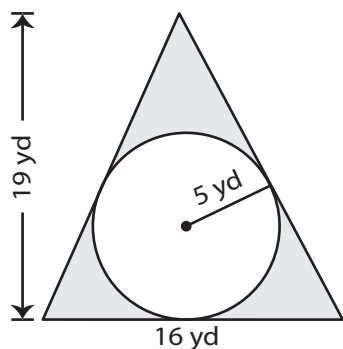
Area = _____

2)



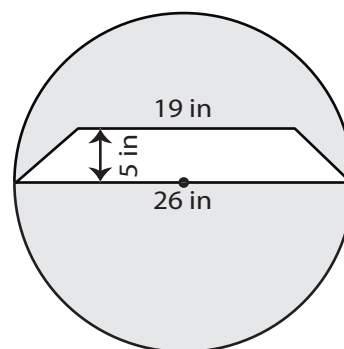
Area = _____

3)



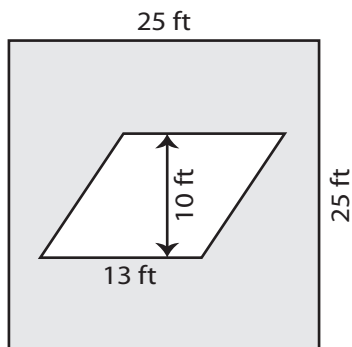
Area = _____

4)



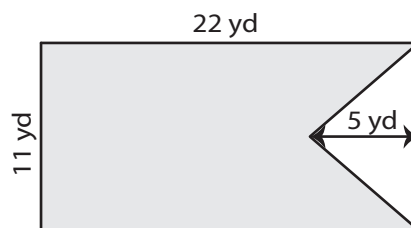
Area = _____

5)



Area = _____

6)



Area = _____

Name : _____

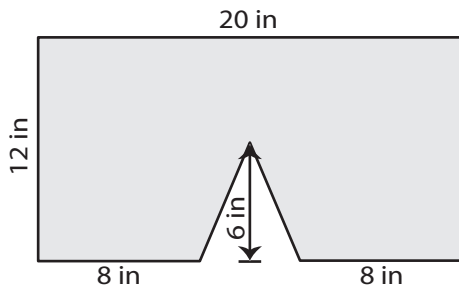
Answer key

Area - Compound Shapes

L151

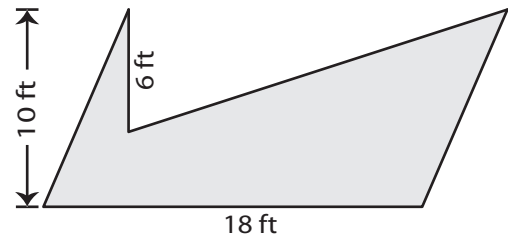
Find the area of the shaded region in each figure. Round your answer to 2 decimal places if required. (Use $\pi = 3.14$)

1)



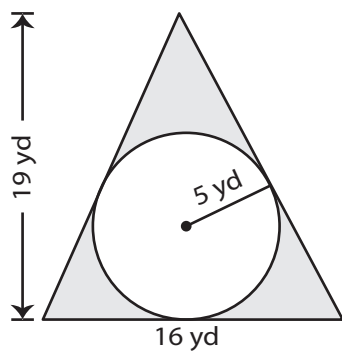
Area = 228 in²

2)



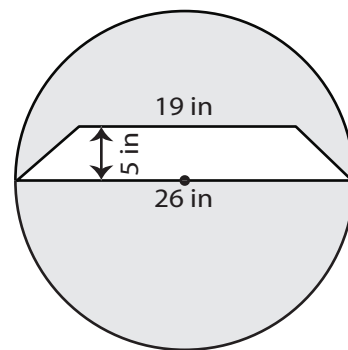
Area = 126 ft²

3)



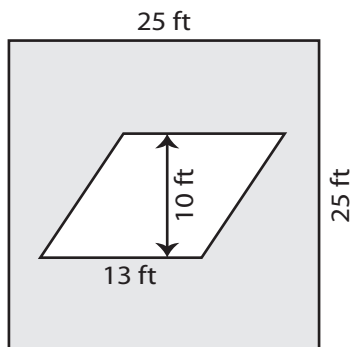
Area = 73.5 yd²

4)



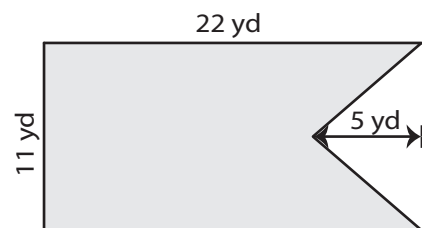
Area = 418.16 in²

5)



Area = 495 ft²

6)



Area = 214.5 yd²