

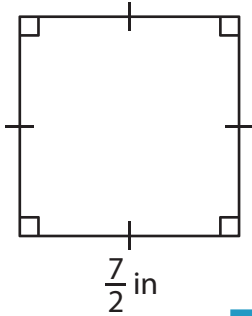
Name : \_\_\_\_\_

## Area – Mixed Shapes

L1S2

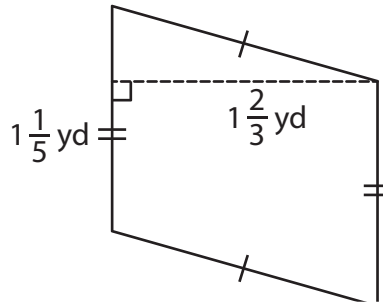
Find the area of each shape.

1)

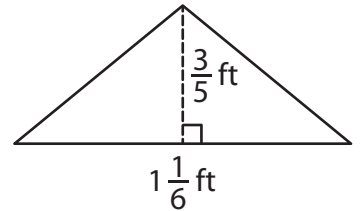


Area = \_\_\_\_\_

2)

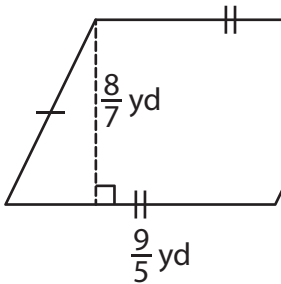


3)



Area = \_\_\_\_\_

4)



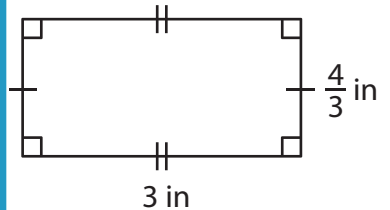
Area = \_\_\_\_\_

Gain complete access to the largest collection of worksheets in all subjects!

Members, please log in to download this worksheet.

Not a member? Please sign up to gain complete access.

[www.mathworksheets4kids.com](http://www.mathworksheets4kids.com)



Area = \_\_\_\_\_

7) The length and width of a rectangle are \_\_\_\_\_ and \_\_\_\_\_.

What is the area of the rectangle?

8) The base and height of a triangle are  $\frac{1}{5}$  inch and  $\frac{5}{7}$  inch respectively. Find the area of the triangle.

Name : \_\_\_\_\_

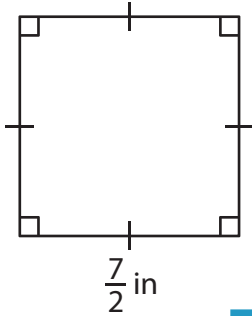
## Answer key

### Area – Mixed Shapes

L1S2

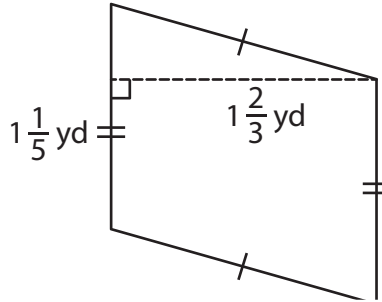
Find the area of each shape.

1)

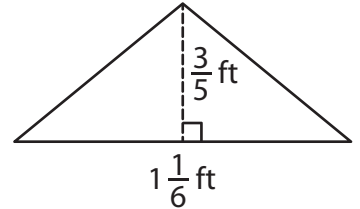


Area =  $\frac{49}{4}$  or  $12\frac{1}{4}$  in<sup>2</sup>

2)

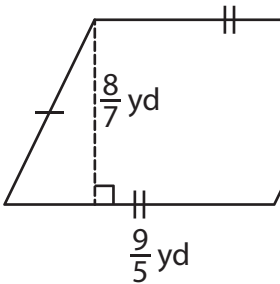


3)



Area =  $\frac{7}{20}$  ft<sup>2</sup>

4)



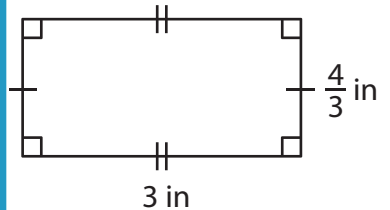
Area =  $\frac{72}{35}$  or  $2\frac{2}{35}$  yd<sup>2</sup>

Gain complete access to the largest collection of worksheets in all subjects!

Members, please log in to download this worksheet.

Not a member? Please sign up to gain complete access.

[www.mathworksheets4kids.com](http://www.mathworksheets4kids.com)



Area =  $4$  in<sup>2</sup>

7) The length and width of a rectangle are  $\frac{20}{7}$  and  $2\frac{6}{7}$  yards respectively. What is the area of the rectangle?

$\frac{20}{7}$  or  $2\frac{6}{7}$  square yards

8) The base and height of a triangle are  $\frac{1}{5}$  inch and  $\frac{5}{7}$  inch respectively. Find the area of the triangle.

$\frac{1}{14}$  square inch