

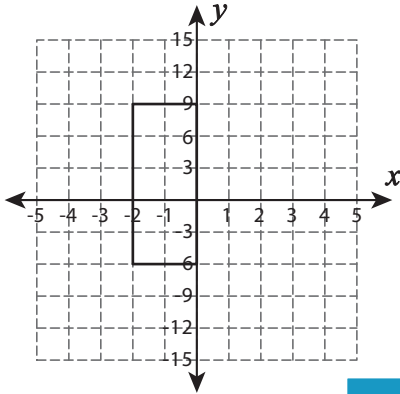
Name : _____

Area - Shapes

Sheet 2

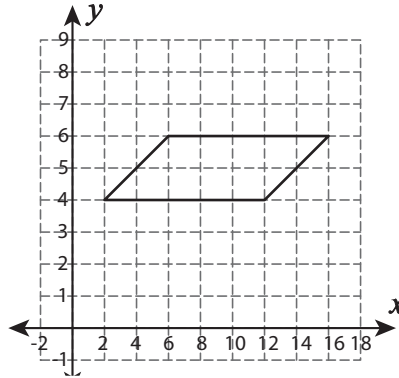
Find the area of each shape.

1)

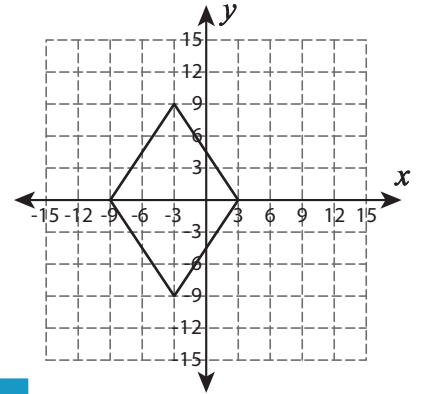


Area = _____

2)

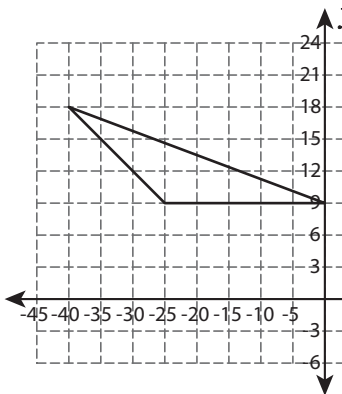


3)



Area = _____

4)



Area = _____

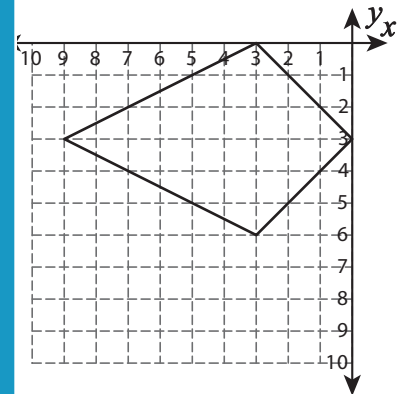
PREVIEW

Gain complete access to the largest collection of worksheets in all subjects!

Members, please log in to download this worksheet.

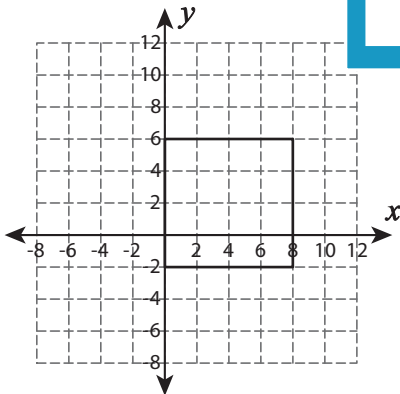
Not a member? Please sign up to gain complete access.

www.mathworksheets4kids.com

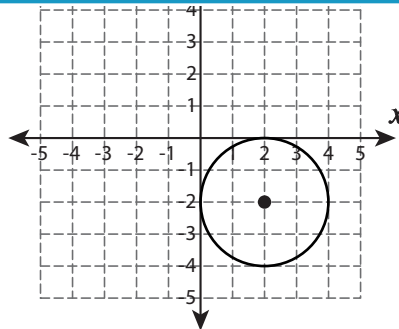


Area = _____

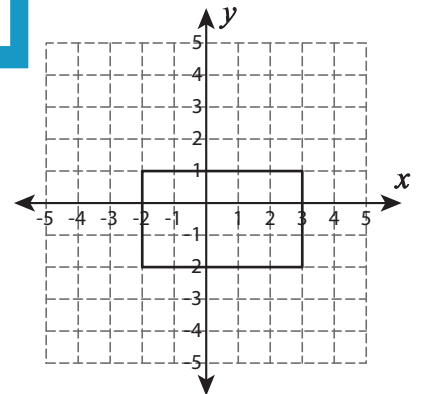
7)



Area = _____



Area = _____



Area = _____

Name : _____

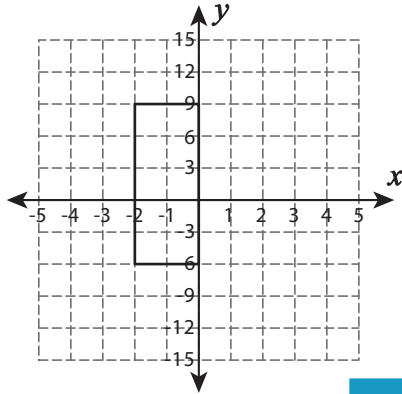
Answer key

Area - Shapes

Sheet 2

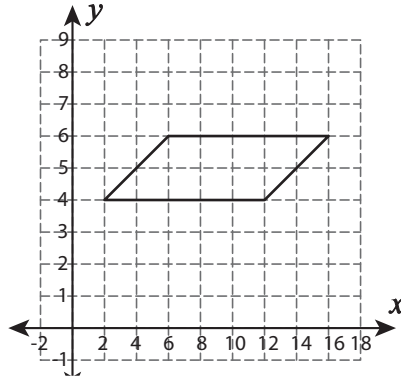
Find the area of each shape.

1)

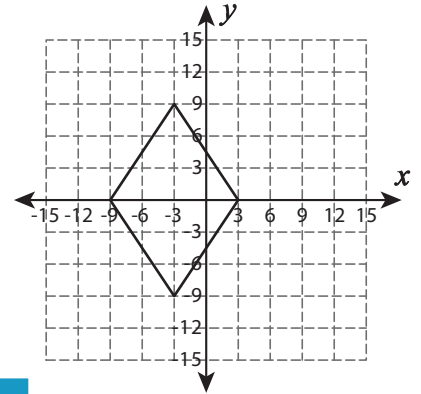


Area = 30 square units

2)

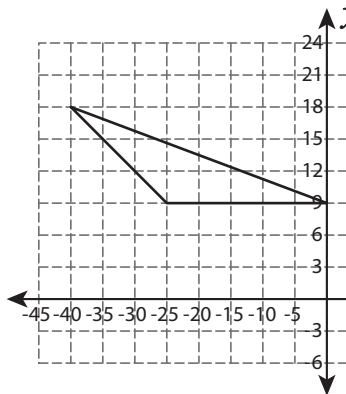


3)



Area = 108 square units

4)



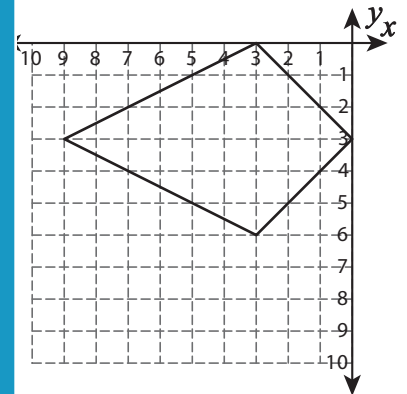
Area = 112.5 square units

Gain complete access to the largest collection of worksheets in all subjects!

Members, please log in to download this worksheet.

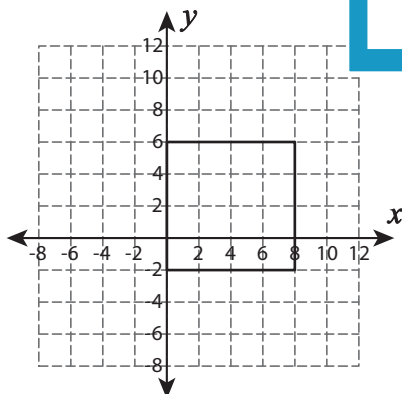
Not a member? Please sign up to gain complete access.

www.mathworksheets4kids.com

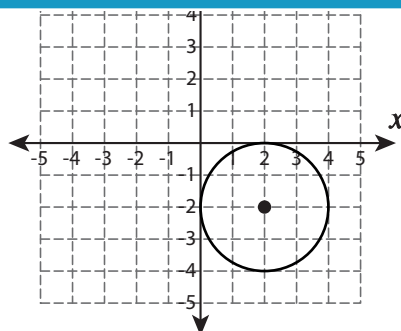


Area = 27 square units

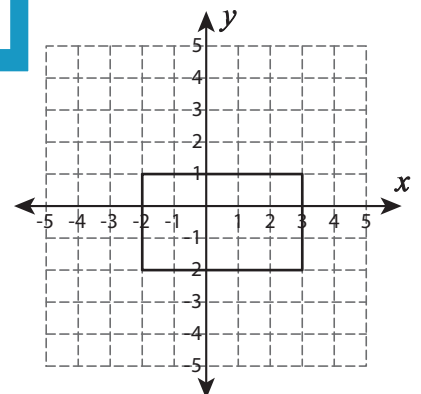
7)



Area = 64 square units



Area = 4π square units



Area = 15 square units