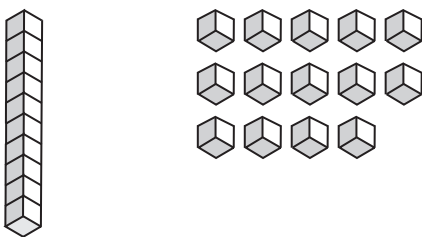


Place Value Blocks - 2 Digits

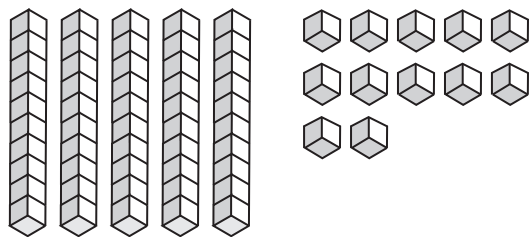
L2S2

Write the number formed by base ten blocks.

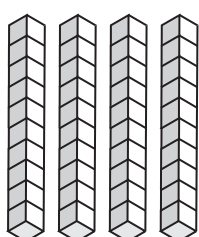
1)



2)



3)



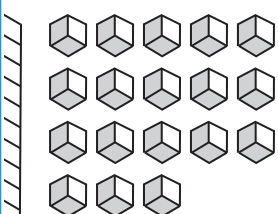
PREVIEW

Gain complete access to the largest collection of worksheets in all subjects!

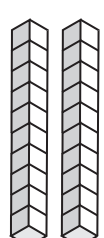
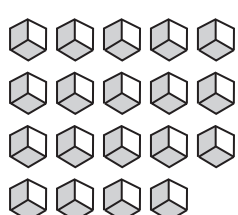
Members, please log in to download this worksheet.

Not a member? Please sign up to gain complete access.

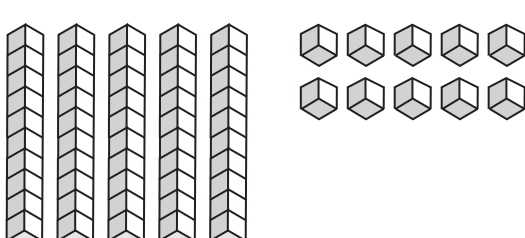
www.mathworksheets4kids.com



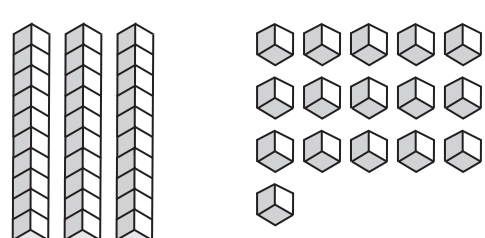
5)

7)



8)

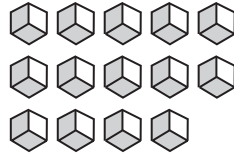


Answer key**Place Value Blocks - 2 Digits**

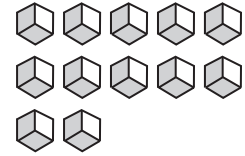
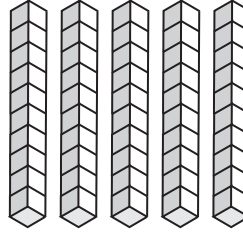
L2S2

Write the number formed by base ten blocks.

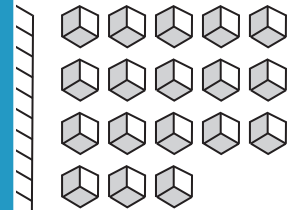
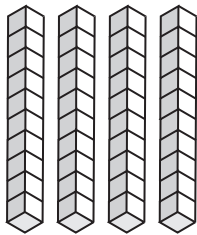
1)

**24**

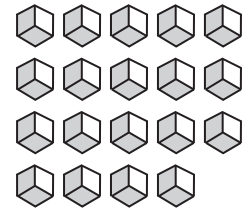
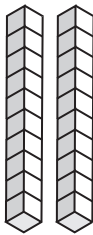
2)

**62**

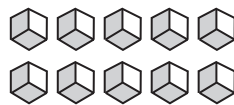
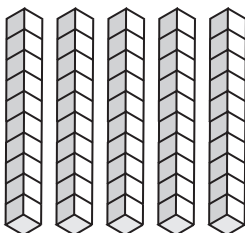
3)

**78**

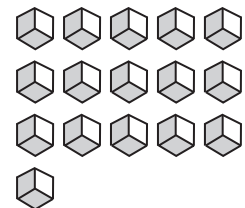
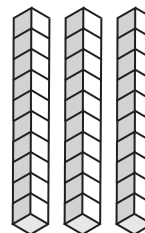
5)

**29**

7)

**60**

8)

**46****PREVIEW**

Gain complete access to the largest
collection of worksheets in all subjects!

Members, please
log in to
download this
worksheet.

Not a member?
Please sign up to
gain complete
access.

www.mathworksheets4kids.com